



ANSI Z359.14 Class B	
ANSI A10.32	OSHA 1910.140 OSHA 1926.502

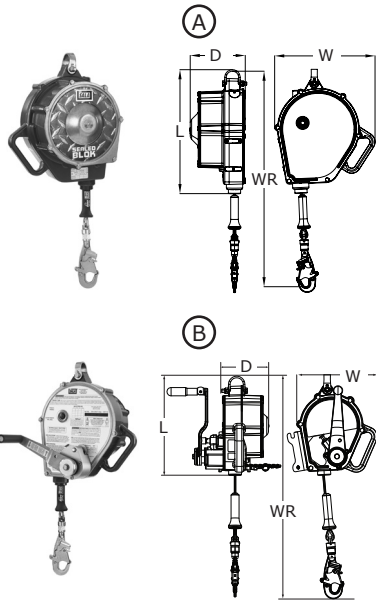
Sealed-Blok™ SELF-RETRACTING DEVICES




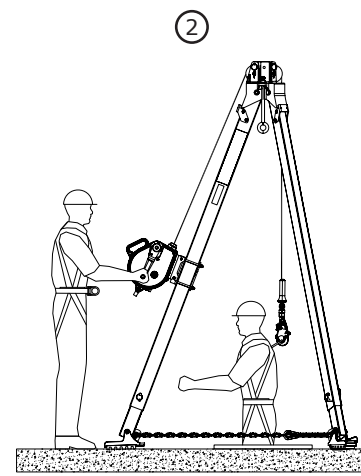
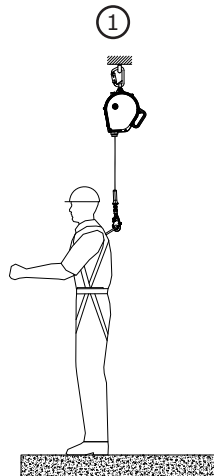
USER INSTRUCTIONS 5903887 Rev. E

Fall Protection

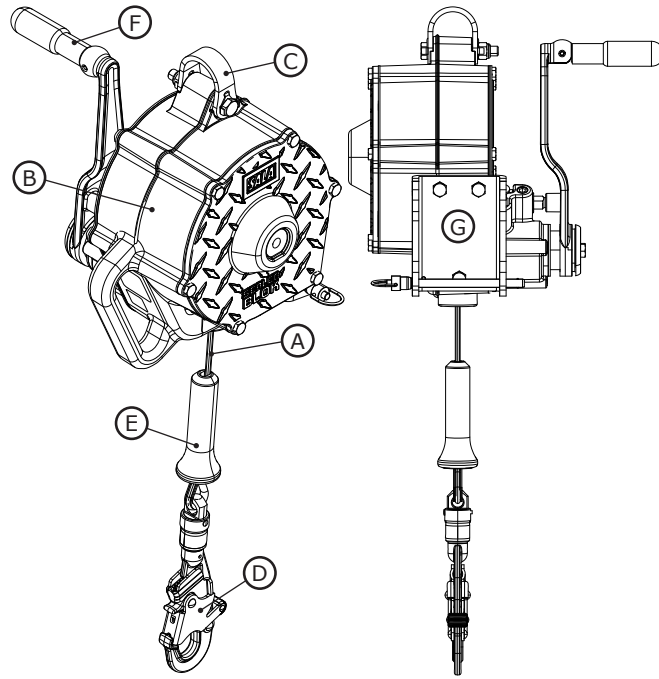
1



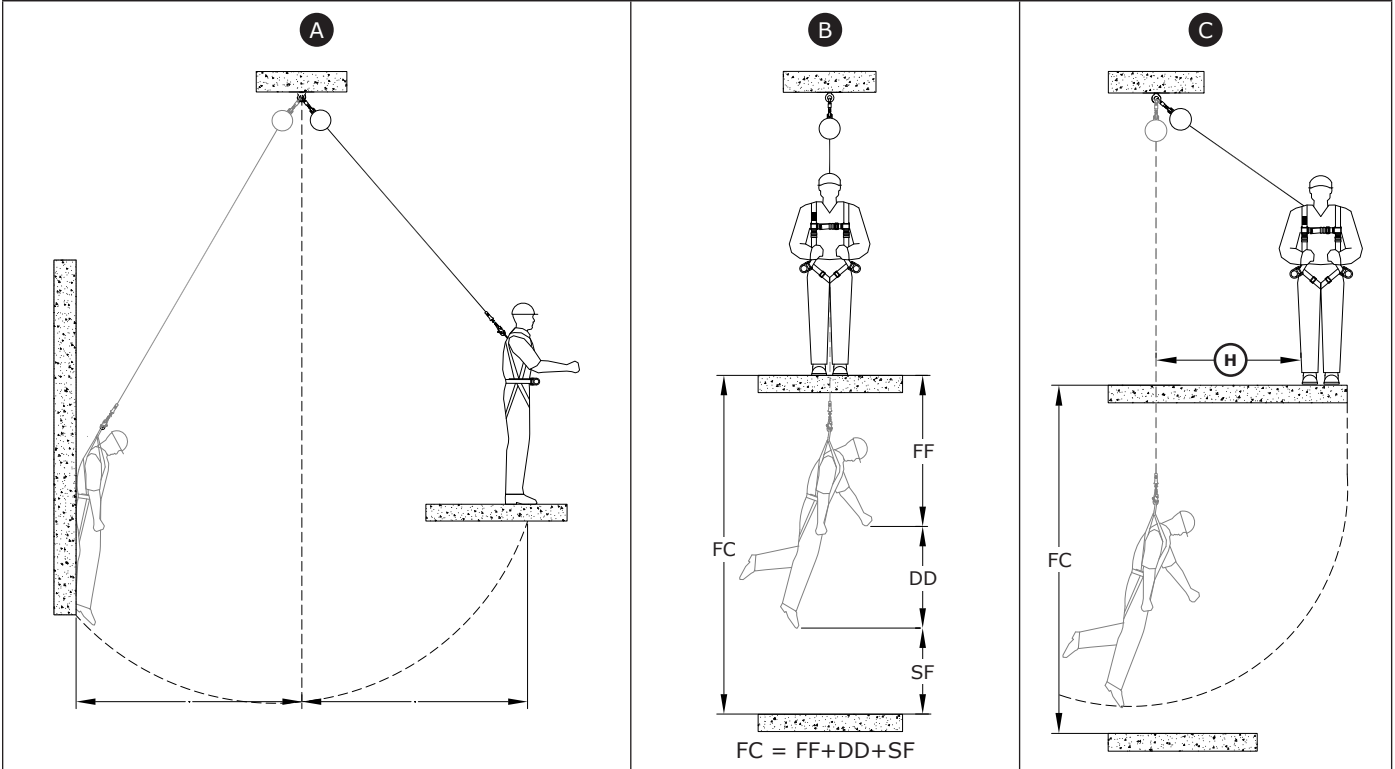
	Sealed-Blok™	Cable	Retrieval	WR	L	W	D	
(A)	3400800	9501479		30 ft (9.0 m)	10.2 in (25 cm)	7.6 in (19 cm)	4.3 in (11 cm)	420 lbs (189 kg)
(A)	3400801	9501613		30 ft (9.0 m)	10.2 in (25 cm)	7.6 in (19 cm)	4.3 in (11 cm)	420 lbs (189 kg)
(A)	3400802	9501613		30 ft (9.0 m)	10.2 in (25 cm)	7.6 in (19 cm)	4.3 in (11 cm)	420 lbs (189 kg)
(A)	3400807	9501613		30 ft (9.0 m)	10.2 in (25 cm)	7.6 in (19 cm)	4.3 in (11 cm)	420 lbs (189 kg)
(A)	3400825	9501479		15 ft (4.5 m)	10.2 in (25 cm)	7.6 in (19 cm)	4.3 in (11 cm)	420 lbs (189 kg)
(A)	3400826	9501613		15 ft (4.5 m)	10.2 in (25 cm)	7.6 in (19 cm)	4.3 in (11 cm)	420 lbs (189 kg)
(A)	3400827	9501613		15 ft (4.5 m)	10.2 in (25 cm)	7.6 in (19 cm)	4.3 in (11 cm)	420 lbs (189 kg)
(A)	3400833	9501613		15 ft (4.5 m)	10.2 in (25 cm)	7.6 in (19 cm)	4.3 in (11 cm)	420 lbs (189 kg)
(A)	3400849	9501613	✓	15 ft (4.5 m)	10.2 in (25 cm)	7.6 in (19 cm)	4.3 in (11 cm)	420 lbs (189 kg)
(A)	3400850	9501479	✓	30 ft (9 m)	11.5 in (29 cm)	9.4 in (24 cm)	5.4 in (14 cm)	420 lbs (189 kg)
(A)	3400851	9501613	✓	30 ft (9 m)	11.5 in (29 cm)	9.4 in (24 cm)	5.4 in (14 cm)	420 lbs (189 kg)
(A)	3400852	9501613	✓	30 ft (9 m)	11.5 in (29 cm)	9.4 in (24 cm)	5.4 in (14 cm)	420 lbs (189 kg)
(A)	3400853	9501479	✓	30 ft (9 m)	11.5 in (29 cm)	9.4 in (24 cm)	5.4 in (14 cm)	420 lbs (189 kg)
(A)	3400857	9501613	✓	30 ft (9 m)	11.5 in (29 cm)	9.4 in (24 cm)	5.4 in (14 cm)	420 lbs (189 kg)
(B)	3400858	9501613	✓	30 ft (9 m)	11.5 in (29 cm)	9.4 in (24 cm)	5.4 in (14 cm)	420 lbs (189 kg)



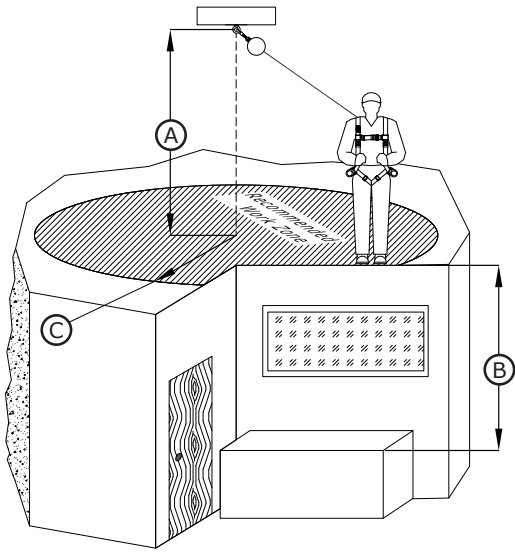
2



3

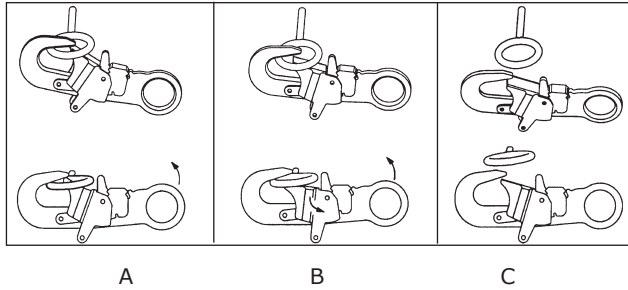


FC

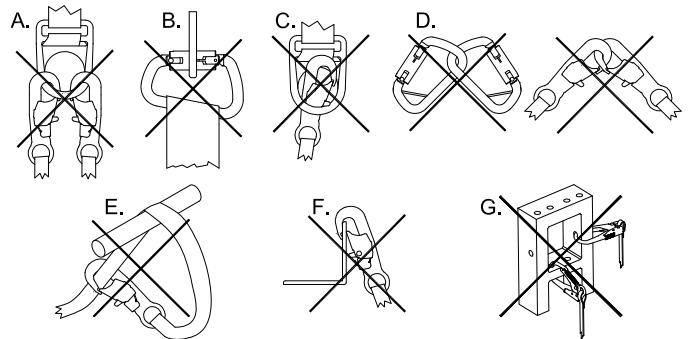


FC ft (m)	H										
	0 (0.0)	2 (0.6)	4 (1.2)	6 (1.8)	8 (2.4)	10 (3.0)	12 (3.7)	14 (4.3)	16 (4.9)	18 (5.5)	20 (6.1)
0 (0.0)	6 (2)	8 (2.6)	x	x	x	x	x	x	x	x	x
10 (3)	6 (2)	6.2 (2.1)	6.8 (2.3)	7.7 (2.6)	8.8 (2.9)	x	x	x	x	x	x
20 (6.1)	6 (2)	6.1 (2)	6.4 (2.1)	6.9 (2.3)	7.5 (2.5)	8.4 (2.7)	9.3 (3)	x	x	x	x
30 (9.1)	6 (2)	6.1 (2.1)	6.3 (2.1)	6.6 (2.2)	7 (2.3)	7.6 (2.5)	8.3 (2.7)	9.1 (3)	x	x	x
40 (12.2)	6 (2)	6 (2)	6.2 (2.1)	6.4 (2.1)	6.8 (2.2)	7.2 (2.4)	7.8 (2.5)	8.4 (2.7)	9.1 (2.9)	9.9 (3.2)	x
50 (15.2)	6 (2)	6 (2)	6.2 (2.1)	6.4 (2.2)	6.6 (2.2)	7 (2.3)	7.4 (2.5)	7.9 (2.6)	8.5 (2.8)	9.1 (3)	9.9 (3.2)
60 (18.3)	6 (2)	6 (2)	6.1 (2)	6.3 (2.1)	6.5 (2.1)	6.8 (2.2)	7.2 (2.4)	7.6 (2.5)	8.1 (2.6)	8.6 (2.8)	9.2 (3)
70 (21.3)	6 (2)	6 (2)	6.1 (2.1)	6.3 (2.1)	6.5 (2.2)	6.7 (2.2)	7 (2.3)	7.4 (2.5)	7.8 (2.6)	8.3 (2.7)	8.8 (2.9)
80 (24.4)	6 (2)	6 (2)	6.1 (2)	6.2 (2)	6.4 (2.1)	6.6 (2.2)	6.9 (2.3)	7.2 (2.5)	7.6 (2.8)	8 (2.6)	8.5 (2.7)
90 (27.4)	6 (2)	6 (2)	6.1 (2.1)	6.2 (2.1)	6.4 (2.2)	6.6 (2.2)	6.8 (2.3)	7.1 (2.4)	7.4 (2.5)	7.8 (2.6)	8.2 (2.7)
100 (30.5)	6 (2)	6 (2)	6.1 (2)	6.2 (2)	6.3 (2.1)	6.5 (2.1)	6.7 (2.2)	7 (2.3)	7.3 (2.4)	7.6 (2.5)	8 (2.6)
110 (33.5)	6 (2)	6 (2)	6.1 (2.1)	6.2 (2.1)	6.3 (2.1)	6.5 (2.2)	6.7 (2.2)	6.9 (2.3)	7.2 (2.4)	7.5 (2.5)	7.8 (2.6)
120 (36.6)	6 (2)	6 (2)	6.1 (2)	6.1 (2)	6.3 (2.1)	6.4 (2.1)	6.6 (2.2)	6.8 (2.2)	7.1 (2.3)	7.3 (2.4)	7.7 (2.5)
130 (39.6)	6 (2)	6 (2)	6.1 (2.1)	6.1 (2.1)	6.2 (2.1)	6.4 (2.1)	6.6 (2.2)	6.8 (2.3)	7 (2.4)	7.2 (2.4)	7.5 (2.5)
140 (42.7)	6 (2)	6 (2)	6.1 (2)	6.1 (2)	6.2 (2)	6.4 (2.1)	6.5 (2.2)	6.7 (2.2)	6.9 (2.3)	7.2 (2.3)	7.4 (2.4)
150 (45.7)	6 (2)	6 (2)	6.1 (2.1)	6.1 (2.1)	6.2 (2.1)	6.3 (2.2)	6.5 (2.2)	6.7 (2.3)	6.9 (2.4)	7.1 (2.4)	7.3 (2.4)
160 (48.8)	6 (2)	6 (2)	6 (2)	6.1 (2)	6.2 (2)	6.3 (2.1)	6.4 (2.2)	6.6 (2.2)	6.8 (2.3)	7 (2.3)	7.2 (2.3)
170 (51.8)	6 (2)	6 (2)	6 (2)	6.1 (2)	6.2 (2.1)	6.3 (2.1)	6.4 (2.1)	6.6 (2.2)	6.8 (2.3)	7 (2.3)	7.2 (2.4)
180 (54.9)	6 (2)	6 (2)	6 (2)	6.1 (2)	6.2 (2)	6.3 (2.1)	6.4 (2.1)	6.5 (2.1)	6.7 (2.2)	6.9 (2.2)	7.1 (2.3)
190 (57.9)	6 (2)	6 (2)	6 (2)	6.1 (2)	6.2 (2.1)	6.3 (2.1)	6.4 (2.1)	6.5 (2.2)	6.7 (2.2)	6.9 (2.3)	7 (2.3)

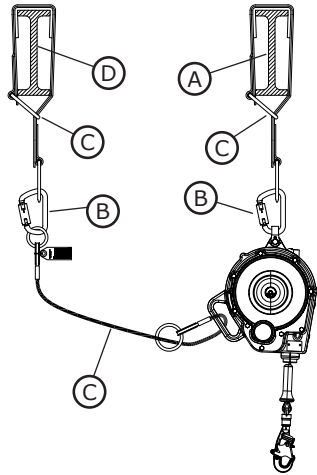
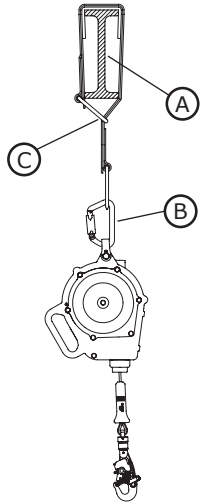
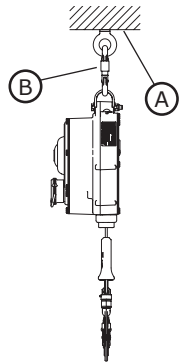
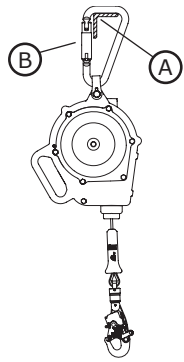
5



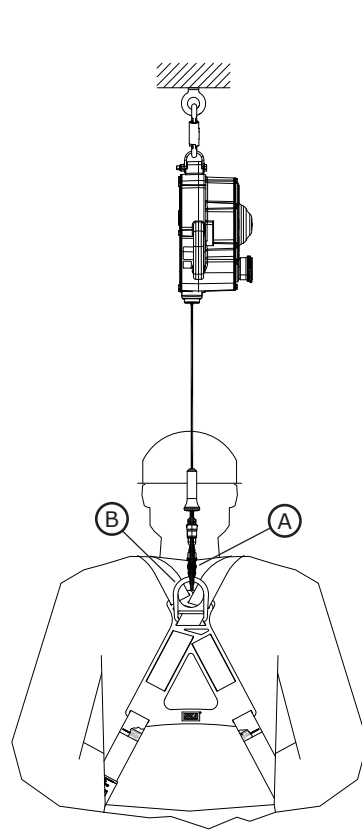
6



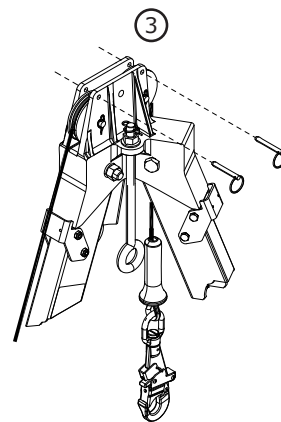
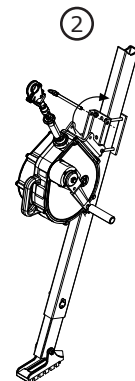
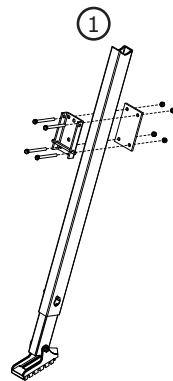
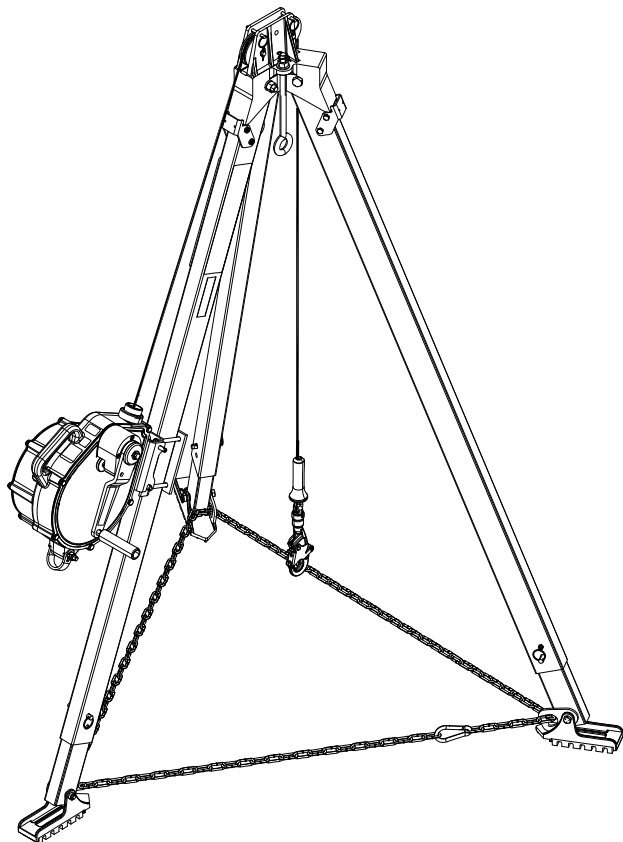
7

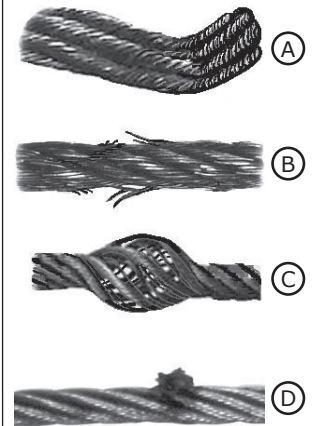
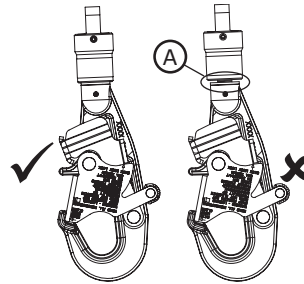
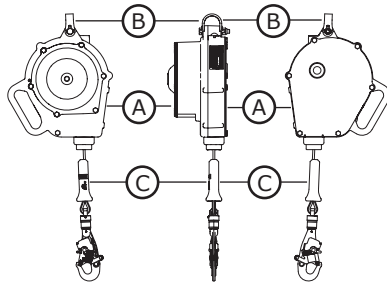
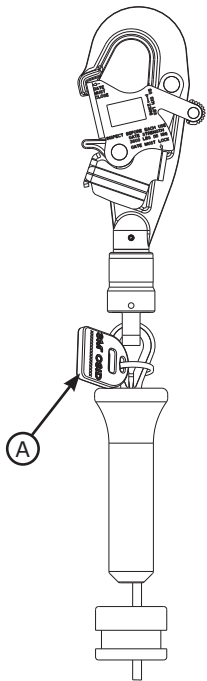
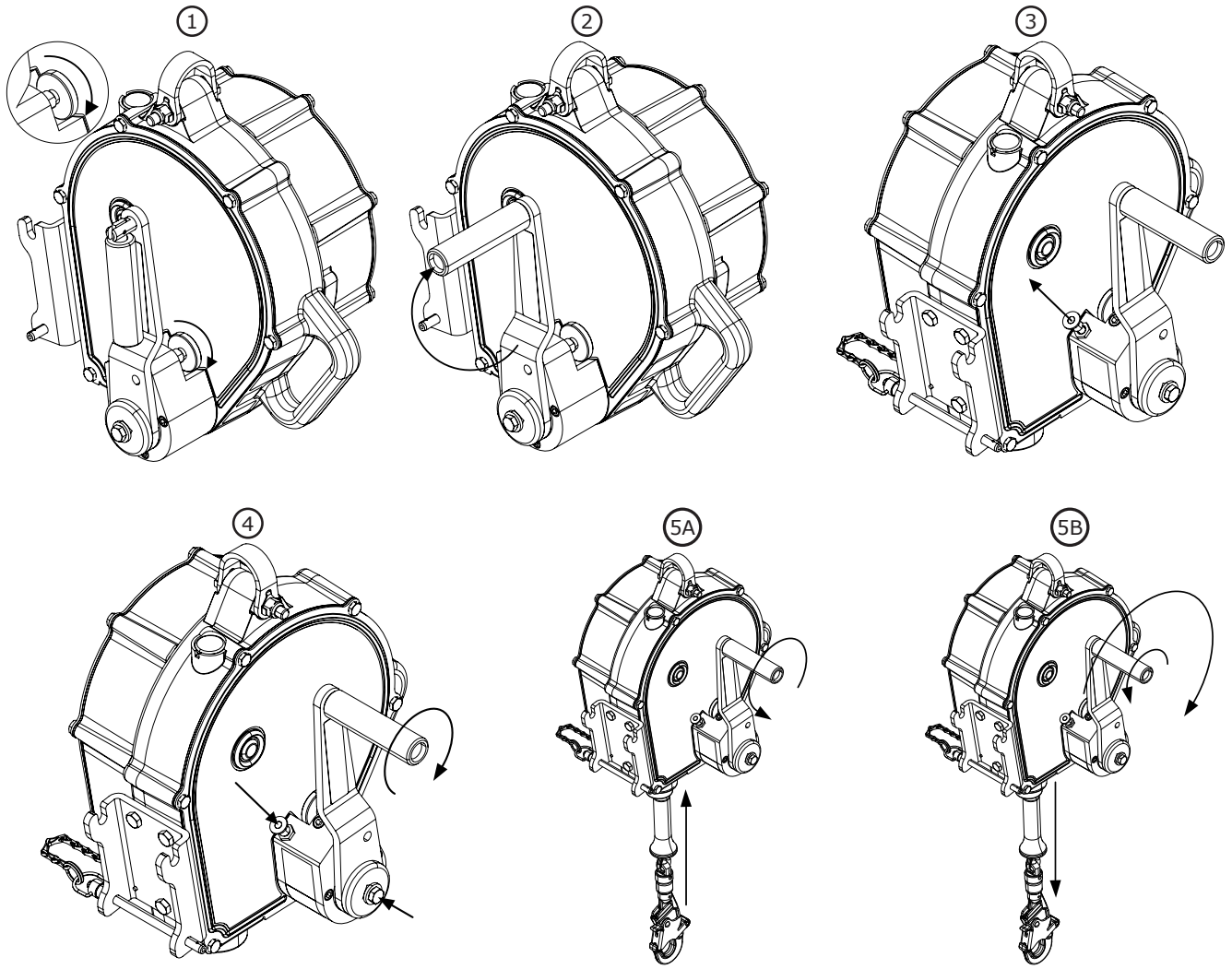


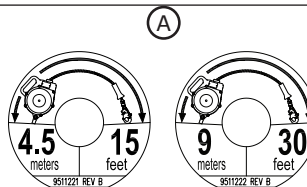
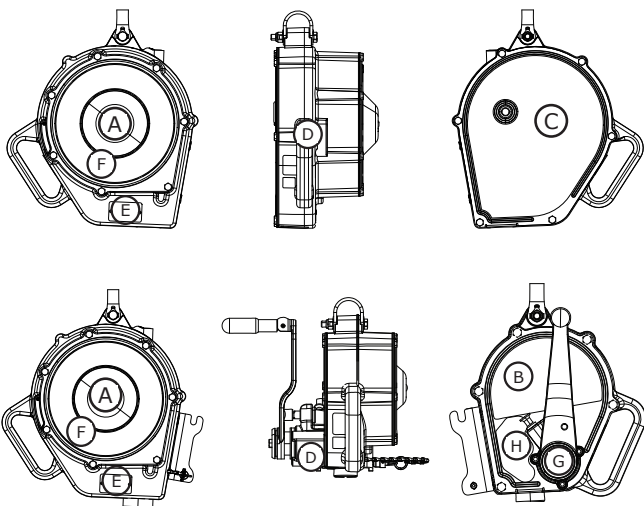
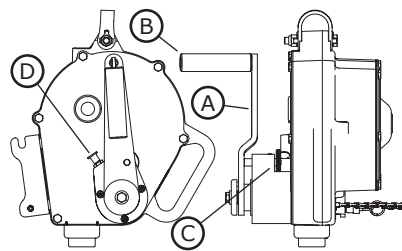
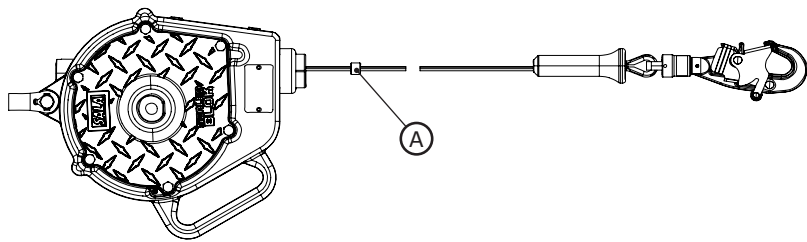
8



9







(A)

(B)



www.capitalsafety.com
(800)-328-6146

SPECIFICATIONS

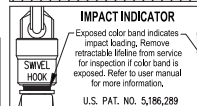
Maximum arresting distance: 42in. (1.1m).
Maximum arresting force: 900 lbs. (4.0 kN).
Average arresting force: 900 lbs. (4.0 kN).
Lifeline material designation: 3/16 in. (5mm) dia. 7 x 19 galvanized steel cable (S) or stainless steel cable (S) or 1/4 in. (6.3 mm) dia. 12 strand spectra rope (R), aramid rope (K), or vectran rope (V). See other markings for details on material, construction and use limitations of rope models. Meets OSHA, ANSI Z359.14 Class B, & ANSI A10.32.
ISO 17025 accredited verification to ANSI Z359.7

WARNING Read instructions before use. Manufacturer's instructions supplied with this product at time of shipment must be followed for proper use, maintenance, and inspection. Alteration or misuse of this product, or failure to follow instructions may result in serious injury or death. See other markings. Do not allow slack in line while in rescue mode.

USE Anchorage strength requirement 5000 LBS (22kN). Anchor unit as directly above work area as possible to reduce possible swing fall hazard. Do not work above anchorage level. A full body harness is required for use with this device. Capacity is a single user only. Avoid lifeline contact with sharp edges. For use by trained persons only. This unit is suitable for use with horizontal lifelines. See user manual for additional information including suitability for horizontal use, SRL with Retrieval. A maximum force of 14 kg (30 lb) is required to raise/lower users. To lower a user after a fall, first raise slightly to disengage locking mechanism.

INSPECTION Before each use, and at least monthly, inspect in accordance with the user manual, including locking function (pull sharply to test), retraction function, lifeline condition, function and condition of connectors, housing and fasteners, legibility of labels, and any evidence of defects, damage, or missing parts. Inspection by a competent person is required at least annually, see user manual. If used to arrest a fall, remove from service for inspection. Do not use if inspection reveals an unsafe condition. Not user repairable. 9510235 Rev. B

MATERIAL: CAPACITY (lb/kg): LENGTH (ft):



DO NOT REMOVE THIS LABEL

INSPECTION LOG

DATE	INITIAL	DATE	INITIAL

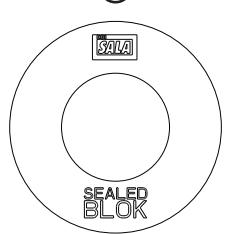
(D)



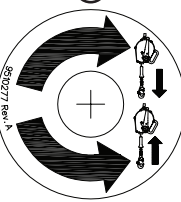
(E)

Serial No./N° de série _____
Model No./N° du modèle _____
Mfrd./Fab. _____
Lot _____
Service Dates / Dates de Réparation _____

(F)

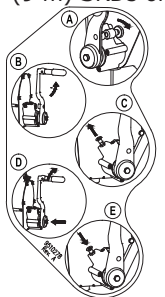


(G)



(H)

30' (9 m) SRDs only.



(C)



www.capitalsafety.com
Capital Safety
Red Wing, MN, USA
+1-800-328-6146

WARNING Read Instructions before use, Manufacturer's Instructions supplied with this product at time of shipment must be followed for proper use, maintenance, and inspection. Alteration or misuse of this product, or failure to follow instructions may result in serious injury or death. See other markings.



USE: Anchorage strength requirement 5000 LBS (22kN). Anchor unit as directly above work area as possible to reduce possible swing fall hazard. Do not work above anchorage level. A full body harness is required for use with this device. Capacity is a single user only. Avoid lifeline contact with sharp edges. For use by trained persons only. This unit is suitable for use with horizontal lifelines. See user manual for additional information including suitability for horizontal use.

INSPECTION: Before each use, and at least monthly, inspect in accordance with the user manual, including locking function (pull sharply to test), retraction function, lifeline condition, function and condition of connectors, housing and fasteners, legibility of labels, and any evidence of defects, damage, or missing parts. Inspection by a competent person is required at least annually, see user manual. If used to arrest a fall, remove from service for inspection. Do not use if inspection reveals an unsafe condition. Not user repairable.

SPECIFICATIONS

Maximum arresting distance: 42 in. (1.1 m).
Maximum arresting force: 900 lbs. (4.0 kN).
Average arresting force: 900 lbs. (4.0 kN).
Free fall limit: 2ft Maximum.
Lifeline material designation (*): 3/16 in. (5mm) dia. 7 x 19 galvanized steel cable (S) or stainless steel cable (S) or 1/4 in. (6.3 mm) dia. 12 strand spectra rope (R), aramid rope (K), or vectran rope (V). See other markings for details on material, construction and use limitations of rope models. Meets OSHA and ANSI Z359.14 Class B.
ISO 17025 accredited verification to ANSI Z359.7

(*MATERIAL: CAPACITY (lb/kg): LENGTH (ft/m):

DO NOT REMOVE THIS LABEL
950725 Rev. A

SAFETY INFORMATION

Please read, understand, and follow all safety information contained in these instructions prior to the use of this Self-Retracting Device (SRD). FAILURE TO DO SO COULD RESULT IN SERIOUS INJURY OR DEATH.

These instructions must be provided to the user of this equipment. Retain these instructions for future reference.

Intended Use:

This Self-Retracting Device is intended for use as part of a complete personal fall protection system.

Use in any other application including, but not limited to, material handling, recreational or sports related activities, or other activities not described in the User Instructions, is not approved by 3M and could result in serious injury or death.

This device is only to be used by trained users in workplace applications.

! WARNING

This Self-Retracting Device is part of a personal fall protection system. It is expected that all users be fully trained in the safe installation and operation of their personal fall protection system. **Misuse of this device could result in serious injury or death.** For proper selection, operation, installation, maintenance, and service, refer to these User Instructions including all manufacturer recommendations, see your supervisor, or contact 3M Technical Services.

- **To reduce the risks associated with working with an SRD which, if not avoided, could result in serious injury or death:**
 - Before each use, inspect the SRD and check for proper locking and retraction.
 - If inspection reveals an unsafe or defective condition, remove the device from service and repair or replace according to the User Instructions.
 - If the SRD has been subjected to fall arrest or impact force, immediately remove the SRD from service and label the device 'UNUSABLE'.
 - Ensure the lifeline is kept free from any and all obstructions including, but not limited to; entanglement with moving machinery or equipment (e.g., the top drive of oil rigs), other workers, yourself, surrounding objects, or impact from overhead objects that could fall onto the lifeline or the worker.
 - Never allow slack in the lifeline. Do not tie or knot the lifeline.
 - Attach the unused leg(s) of the Harness Mounted SRD to the parking attachment(s) of the harness if equipped.
 - Do not use in applications that have an obstructed fall path. Working on slowly shifting material, such as sand or grain, or within confined or cramped spaces, may not allow the worker to reach sufficient speed to cause the SRD to lock. A clear path is required to assure positive locking of the SRD.
 - Avoid sudden or quick movements during normal work operation. This may cause the device to lock up.
 - Ensure that fall protection systems/subsystems assembled from components made by different manufacturers are compatible and meet the requirements of applicable standards, including the ANSI Z359 or other applicable fall protection codes, standards, or requirements. Always consult a Competent and/or Qualified Person before using these systems.
- **To reduce the risks associated with working at height which, if not avoided, could result in serious injury or death:**
 - Ensure your health and physical condition allow you to safely withstand all of the forces associated with working at height. Consult with your doctor if you have any questions regarding your ability to use this equipment.
 - Never exceed allowable capacity of your fall protection equipment.
 - Never exceed maximum free fall distance of your fall protection equipment.
 - Do not use any fall protection equipment that fails pre-use or other scheduled inspections, or if you have concerns about the use or suitability of the equipment for your application. Contact 3M Technical Services with any questions.
 - Some subsystem and component combinations may interfere with the operation of this equipment. Only use compatible connections. Consult 3M prior to using this equipment in combination with components or subsystems other than those described in the User Instructions.
 - Use extra precautions when working around moving machinery (e.g. top drive of oil rigs) electrical hazards, extreme temperatures, chemical hazards, explosive or toxic gases, sharp edges, or below overhead materials that could fall onto you or your fall protection equipment.
 - Use Arc Flash or Hot Works devices when working in high heat environments.
 - Avoid surfaces and objects that can damage the user or equipment.
 - Ensure there is adequate fall clearance when working at height.
 - Never modify or alter your fall protection equipment. Only 3M or parties authorized in writing by 3M may make repairs to the equipment.
 - Prior to use of fall protection equipment, ensure a rescue plan is in place which allows for prompt rescue if a fall incident occurs.
 - If a fall incident occurs, immediately seek medical attention for the worker who has fallen.
 - Do not use a body belt for fall arrest applications. Use only a Full Body Harness.
 - Minimize swing falls by working as directly below the anchorage point as possible.
 - If training with this device, a secondary fall protection system must be utilized in a manner that does not expose the trainee to an unintended fall hazard.
 - Always wear appropriate personal protective equipment when installing, using, or inspecting the device/system.

Before using this equipment, record the product identification information from the ID label in the 'Inspection and Maintenance Log' at the back of this manual.

Always ensure you are using the latest revision of your 3M instruction manual. Visit the 3m website or contact 3M Technical Services for updated instruction manuals.

DESCRIPTION:

Figure 2 identifies key components of the DBI-SALA® Ultra-Lok™ Self-Retracting Devices (SRDs). Ultra-Lok SRDs are drum wound Wire Rope Lifelines (A) which retract into a sealed aluminum Housing (B). They can hang from anchorage by a Carabiner attached through the Swivel Eye (C) on the top of the SRD. A Self-Locking Snap Hook (D) on the end of the Lifeline attaches to the designated Fall Arrest connection on a Full Body Harness. A Bumper (E), protects the Wire Rope and Ferrules securing the Snap Hook from abrasion and corrosion.

Figure 1 defines the Ultra-Lok SRD models covered by this instruction manual. The following SRD Types are available:

- **Self-Retracting Device (1):** Self-Retracting Devices (SRDs) are suitable for applications where the lifeline remains generally vertical during use and possible Free Fall is limited to 2 ft (0.6 m).
- **Self-Retracting Device with Rescue (2):** Self-Retracting Devices with Rescue include an integral means for assisted rescue by raising or lowering the rescue subject. RSRDs are equipped with a 3-Way Emergency Retrieval Hand Crank (F). Some models include a Tripod Mounting Bracket (G) to mount the SRD on the leg of a Tripod for Confined Space applications.

Table 1 - Specifications

Hook	Description	Material	Gate Strength	Throat Size
2000180	Swiveling Self-Locking Snap Hook with Impact Indicator	Alloy Steel	3,600 lbs (16 kN)	3/4 in (1.9 cm)
2000181	Swiveling Self-Locking Snap Hook with Impact Indicator	Stainless Steel	3,600 lbs (16 kN)	3/4 in (1.9 cm)

Maximum Arrest Force:	900 lbs (4 kN)
Average Arrest Force:	900 lbs (4 kN)
Maximum Arrest Distance:	42 in (1.1 m)
Average Locking Speed:	4.5 ft/s (1.4 m/s)

Lifeline	Material	Diameter	Minimum Tensile Strength
9501479	Galvanized Steel Wire Rope	3/16 in. (4.76 mm)	4,200 lbs (18.7 kN)
9501613	Stainless Steel Wire Rope	3/16 in. (4.76 mm)	3,600 lbs (16.0 kN)

1.0 APPLICATIONS

- 1.1 PURPOSE:** Self-Retracting Devices (SRDs) are designed to be a component in a personal fall arrest system (PFAS). Figure 1 illustrates SRDs covered by this instruction manual. They may be used in most situations where a combination of worker mobility and fall protection is required (i.e. inspection work, general construction, maintenance work, oil production, confined space work, etc.).
- 1.2 STANDARDS:** Your SRD conforms to the national or regional standard(s) identified on the front cover of these instructions. Refer to the local, state, and federal (OSHA) requirements governing occupational safety for additional information regarding Personal Fall Protection.
- 1.3 TRAINING:** This equipment is intended to be used by persons trained in its correct application and use. It is the responsibility of the user to assure they are familiar with these instructions and are trained in the correct care and use of this equipment. Users must also be aware of the operating characteristics, application limits, and the consequences of improper use.
- 1.4 LIMITATIONS:** Always consider the following limitations when installing or using this equipment:

- **Capacity:** SRDs are for use by one person with a combined weight (clothing, tools, etc.) meeting the *Capacity Range* specified in Figure 1 for your standard(s). Make sure all of the components in your system are rated to a capacity appropriate to your application.
- **Anchorage:** Anchorages selected for fall arrest systems shall have a strength capable of sustaining static loads applied in the directions permitted by the system of at least:
 1. 5,000 lbs. (22.2 kN) for non-certified anchorages, or
 2. Two times the maximum arresting force for certified anchorages.

When more than one fall arrest system is attached to an anchorage, the strengths set forth in (1) and (2) above shall be multiplied by the number of systems attached to the anchorage.

FROM OSHA 1926.502 AND 1910.140: Anchorages used for attachment of personal fall arrest systems shall be independent of any anchorage being used to support or suspend platforms, and capable of supporting at least 5,000 lbs. per user attached, or be designed, installed, and used as part of a complete personal fall arrest systems which maintains a safety factor of at least two, and is under the supervision of a qualified person.

- **Locking Speed:** Situations which do not allow for an unobstructed fall path should be avoided. Working in confined or cramped spaces may not allow the body to reach sufficient speed to cause the SRD to lock if a fall occurs. Working on slowly shifting material, such as sand or grain, may not allow enough speed buildup to cause the SRD to lock. A clear path is required to assure positive locking of the SRD.
- **Free Fall:** Properly using an SRD in overhead applications will minimize free fall distance. To prevent an increased free fall distance, follow the instructions below:
 - Never clamp, knot, or otherwise prevent the lifeline from retracting or staying taut.
 - Avoid any slack in the lifeline of the SRD.
 - Do not work above the level of your anchorage.
 - Do not lengthen SRDs by connecting a lanyard or similar component without consulting 3M.

For product-specific information relating to free fall and fall clearance values, please refer to Table 1 of this instruction.

- **Swing Falls:** Swing Falls occur when the anchorage point is not directly above the point where a fall occurs. The force of striking an object in a swing fall may cause serious injury (see Figure 3A). Minimize swing falls by working as directly below the anchorage point as possible (Figure 3B).
- **Fall Clearance:** Figure 3B illustrates Fall Clearance Calculation. Fall Clearance (FC) is the sum of Free Fall (FF), Deceleration Distance (DD) and a Safety Factor (SF): $FC = FF + DD + SF$. D-Ring Slide and Harness Stretch are included in the Safety Factor. Fall Clearance values have been calculated and are charted in Figure 4. A Safety Factor of 1.5 ft (0.45 m) was used for all values in Figure 4.

For falls from a standing position where the SRD is anchored directly overhead (Figure 3B), SRD Fall Arrest Systems should have the minimum Fall Clearances specified in Table 1. Falls from a kneeling or crouching position will require an additional 1 m (3 ft) of Fall Clearance. In a swing fall situation (Figure 3C), the total vertical fall distance will be greater than if the user had fallen directly below the anchorage point and may require additional Fall Clearance. Figure 4 and the accompanying table define the Maximum Work Radius (C) for various SRD Anchorage Heights (A) and Fall Clearances (B). The Recommended Work Zone is limited to the area located within the Maximum Work Radius.

- **Hazards:** Use of this equipment in areas where surrounding hazards exist may require additional precautions to reduce the possibility of injury to the user or damage to the equipment. Hazards may include, but are not limited to: high heat, caustic chemicals, corrosive environments, high voltage power lines, explosive or toxic gases, moving machinery, or overhead materials that may fall and contact the user or fall arrest system. Avoid working where your lifeline may cross or tangle with that of another worker. Avoid working where an object may fall and strike the lifeline; resulting in loss of balance or damage to the lifeline. Do not allow the lifeline to pass under arms or between legs.
- **Sharp Edges:** Avoid using this equipment where system components will be in contact with, or scrape against, unprotected sharp edges and abrasive surfaces.

2.0 Use

- 2.1 FALL PROTECTION AND RESCUE PLAN:** The employer must have a Fall Protection and Rescue Plan in place that meets *ANSI Z359.2 Minimum Requirements for a Comprehensive Managed Fall Protection Program*. The plan should provide guidelines and requirements for an employer's managed fall protection program, including policies, duties and training; fall protection procedures; eliminating and controlling fall hazards; rescue procedures; incident investigations; and evaluating program effectiveness.
- 2.2 INSPECTION FREQUENCY:** SRDs shall be inspected by the authorized person¹ or rescuer² before each use (See Table 3). Additionally, inspections shall be conducted by a competent person³ other than the user. Extreme working conditions (harsh environment, prolonged use, etc.) may necessitate more frequent competent person inspections. The competent person shall use the *Inspection Schedule (Table 2)* to determine appropriate inspection intervals. Inspection procedures are described in the *Inspection & Maintenance Log (Table 3)*. Results of the Competent Person inspection should be recorded in the *Inspection and Maintenance Log* or recorded with the Radio Frequency Identification (RFID) system.
- 2.3 NORMAL OPERATIONS:** Normal operation will allow the lifeline to extend and retract with no hesitation or slack as the worker moves at normal speeds. If a fall occurs, a speed sensing brake system will activate, stopping the fall and absorbing much of the energy created. Sudden or quick movements should be avoided during normal work operation, as this may cause the SRD to lock up. For falls which occur near the end of the lifeline travel, a reserve lifeline system or Energy Absorber has been incorporated to reduce the fall arrest forces.
- 2.4 BODY SUPPORT:** A Full Body Harness must be used with the Self-Retracting Device. The harness connection point must be above the user's center of gravity. A body belt is not authorized for use with the Self-Retracting Device. If a fall occurs when using a body belt it may cause unintentional release or physical trauma from improper body support.
- 2.5 COMPATIBILITY OF COMPONENTS:** Unless otherwise noted, 3M equipment is designed for use with 3M approved components and subsystems only. Substitutions or replacements made with non approved components or subsystems may jeopardize compatibility of equipment and may affect safety and reliability of the complete system.
- 2.6 COMPATIBILITY OF CONNECTORS:** Connectors are considered to be compatible with connecting elements when they have been designed to work together in such a way that their sizes and shapes do not cause their gate mechanisms to inadvertently open regardless of how they become oriented. Contact 3M if you have any questions about compatibility. Connectors (hooks, carabiners, and D-rings) must be capable of supporting at least 5,000 lbs. (22.2 kN). Connectors must be compatible with the anchorage or other system components. Do not use equipment that is not compatible. Non-compatible connectors may unintentionally disengage (see Figure 5). Connectors must be compatible in size, shape, and strength. Self-locking snap hooks and carabiners are required. If the connecting element to which a snap hook or carabiner attaches is undersized or irregular in shape, a situation could occur where the connecting element applies a force to the gate of the snap hook or carabiner (A). This force may cause the gate to open (B), allowing the snap hook or carabiner to disengage from the connecting point (C).
- 2.7 MAKING CONNECTIONS:** Snap hooks and carabiners used with this equipment must be self-locking. Ensure all connections are compatible in size, shape and strength. Do not use equipment that is not compatible. Ensure all connectors are fully closed and locked. 3M connectors (snap hooks and carabiners) are designed to be used only as specified in each product's user's instructions. See Figure 6 for examples of inappropriate connections. Do not connect snap hooks and carabiners:
- To a D-ring to which another connector is attached.
 - In a manner that would result in a load on the gate. Large throat snap hooks should not be connected to standard size D-rings or similar objects which will result in a load on the gate if the hook or D-ring twists or rotates, unless the snap hook is equipped with a 3,600 lb (16 kN) gate.
 - In a false engagement, where size or shape of the mating connectors are not compatible and, without visual confirmation, the connectors seem fully engaged.
 - To each other.
 - Directly to webbing or rope lanyard or tie-back (unless the manufacturer's instructions for both the lanyard and connector specifically allows such a connection).
 - To any object which is shaped or dimensioned such that the snap hook or carabiner will not close and lock, or that roll-out could occur.
 - In a manner that does not allow the connector to align properly while under load.

Table 2 – Inspection Schedule

Type of Use	Application Examples	Conditions of Use	Inspection Frequency
Infrequent to Light	Rescue and Confined Space, Factory Maintenance	Good Storage Conditions, Indoor or Infrequent Outdoor Use, Room Temperature, Clean Environments	Annually
Moderate to Heavy	Transportation, Residential Construction, Utilities, Warehouse	Fair Storage Conditions, Indoor and Extended Outdoor Use, All Temperatures, Clean or Dusty Environments	Semi-Annually to Annually
Severe to Continuous	Commercial Construction, Oil and Gas, Mining	Harsh Storage Conditions, Prolonged or Continuous Outdoor Use, All Temperatures, Dirty Environment	Quarterly to Semi-Annually

1 Authorized Person: A person assigned by the employer to perform duties at a location where the person will be exposed to a fall hazard.

2 Rescuer: Person or persons other than the rescue subject acting to perform an assisted rescue by operation of a rescue system.

3 Competent Person: An individual designated by the employer to be responsible for the immediate supervision, implementation, and monitoring of the employer's managed fall protection program who, through training and knowledge, is capable of identifying, evaluating, and addressing existing and potential fall hazards, and who has the employer's authority to take prompt corrective action with regard to such hazards.

3.0 Installation

- 3.1 PLANNING:** Plan your fall protection system before starting your work. Account for all factors that may affect your safety before, during, and after a fall. Consider all requirements and limitations defined in this manual.
- 3.2 ANCHORAGE:** Figure 7 illustrates typical SRD anchorage connections. The anchorage (A) should be directly overhead to minimize Free Fall and Swing Fall hazards (see Section 2). Select a rigid anchorage point capable of sustaining the static loads defined in Section 1.4. The Swivel Eye on the SRD is equipped with a Carabiner (B). Attach the Carabiner directly to the anchorage structure (rebar, angle iron, etc.), or a Tie-Off Adaptor (C). Some industries require a secondary Dropped Object Anchorage (D) to prevent the SRD from dropping if the primary anchorage point fails.
- 3.3 HARNESS CONNECTION:** A Full Body Harness is required for Fall Arrest applications. Connect the Snap Hook (A) on the SRD Lifeline to the back Dorsal D-Ring (B) on the Full Body Harness. (see Figure 8). For situations such as ladder climbing, it may be useful to connect to the front Sternal D-Ring. Consult the harness manufacturer's instructions for details regarding use of the harness connection points.
- 3.4 TRIPOD MOUNTING:** Figure 9 illustrates installation of the Ultra-Lok Self-Retracting Device with Retrieval Hand-Crank on a DBI-SALA Tripod. The SRD-R is mounted on a leg of the Tripod, and the Lifeline is routed through a Pulley System on the Head of the Tripod:
- 1. Secure the Quick Mount Bracket on the leg of the Tripod:** Assemble the Quick Mount Bracket around the Upper Tube of the Tripod Leg. Position the Quick Mount Bracket at least 12 in (30 cm) above the Locking Pin on the Tripod Leg and then tighten the mounting bolts to 15 ft-lbs (20 Nm). Do not overtighten the bolts.

Never mount the Quick Mount Bracket on the Lower (Telescoping) Tube of the Tripod Leg.
 - 2. Secure the SRD Mounting Bracket on the Quick Mount Bracket:** Position the notches in the SRD Mounting Bracket over the Rod Ends protruding from the Quick Mount Bracket and then pivot the SRD toward the Tripod Leg until the holes in the SRD Mounting Bracket align with the holes in the Quick Mount Bracket. Insert the Mounting Pin through the holes in the SRD Mounting Bracket and Quick Mount Bracket.
 - 3. Route the SRD Lifeline over the Tripod Head Mount Pulleys:** Remove the two Retainer Pins from the Head Mount. Position the SRD Lifeline cable in the grooves in the two Head Mount Pulleys. Reinsert the Retainer Pins through the Head Mount.

4.0 Operation

First time or infrequent users should review the "Safety Information" at the beginning of this manual prior to use of the Self-Retracting Device (SRD).

When using this equipment and connecting subsystem(s), the employer must have a written rescue plan and the means at hand to implement and communicate that plan to users, authorized persons, and rescuers.

- 4.1 BEFORE EACH USE:** Before each use of this fall protection equipment carefully inspect it to assure it is in good working condition. Check for worn or damaged parts. Ensure all bolts are present and secure. Check that the lifeline is retracting properly by pulling out the line and allowing it to slowly retract. If there is any hesitation in retraction, the unit should be marked as "UNUSABLE" and returned to an authorized service center for service. Inspect the lifeline for cuts, frays, burns, crushing, and corrosion. Check locking action by pulling sharply on the line. See Section 5 for inspection details. Do not use if inspection reveals an unsafe condition.
- 4.2 AFTER A FALL:** Any equipment which has been subjected to the forces of arresting a fall or exhibits damage consistent with the effect of fall arrest forces must be removed from service immediately, marked as "UNUSABLE", and inspected and serviced as instructed in Sections 5 and 6.
- 4.3 MAKING CONNECTIONS:** When using a hook to make a connection, ensure roll-out cannot occur (see Figure 5). Do not use hooks or connectors that will not completely close over the attachment object. Do not use non-locking snap hooks. The mounting surface should meet the anchorage strength requirements stated in Section 1.4. Follow the manufacturer's instructions supplied with each system component.
- 4.4 OPERATION:** Inspect the SRD as described in Section 5.0. Connect the SRD to a suitable anchorage or anchorage connector as previously described. Connect the Self-Locking Snap Hook on the end of the lifeline to the Dorsal D-Ring on the Full Body Harness (see Figure 10). Ensure connections are compatible in size, shape, and strength. Ensure hook is fully closed and locked. Once attached, the worker is free to move about within the recommended working area at normal speeds. When working with an SRD, always allow the lifeline to recoil back into the device under control. A tag line may be required to extend or retract the lifeline during connection and disconnection operations. A tag line can be used to prevent uncontrolled retraction of the lifeline into the SRD. Depending on the work site environment and conditions, it may be necessary to restrain the free end of the tag line to prevent interference and entanglement with equipment or machinery.

4.5 RETRIEVAL OPERATION: Figure 10 illustrates operation of the Integral Rescue Hand Crank on the Ultra-Lok Retrieval SRD-R. Do not attempt to operate Retrieval with the lifeline fully retracted. To activate Retrieval mode and use the Rescue Hand Crank:

1. Loosen the Locking Thumb Screw to release the Crank Arm.
2. Rotate the Retrieval Handle up from the SRD Body 90°.
3. Pull and hold the Shift Knob in the unlocked position.
4. Push the Crank Arm in and release the Shift Knob to engage. If needed, rotate the Crank Arm clockwise to help engage the gear.
5. Raise and lower the Lifeline as illustrated in Figure 10:
 - A. To Raise: Rotate the Crank Arm clockwise.
 - B. To Lower: Rotate the Crank Arm counterclockwise. After fall arrest; crank the Crank Arm clockwise slightly first to release the Fall Arrest Brake, then crank the Crank Arm counterclockwise.

The Integral Rescue Hand Crank on 3-Way Emergency Retrieval SRD-R models is for rescue purposes only and should not be used for work positioning or material lifting/lowering.

DBI-SALA SRD-Rs do not incorporate an Overload Clutch to limit the force exerted on the drive components and attached person. Avoid line slack while in Retrieval mode. Also, monitor the individual during retrieval to ensure they are not subjected to excessive force from continued lifting after entanglement on an obstruction.

A minimum load of 75 lbs (33.9 kg) is required to lower or pay out the Lifeline. A force of 30 lbs (0.13 kN) is required to operate the Retrieval system when loaded to capacity.

Stop cranking when the Lifeline is fully extended or retracted. Continued cranking can damage components.

4.6 RETRIEVAL DISENGAGEMENT: To disengage Retrieval mode:

When Retrieval mode is disengaged, any extended Lifeline will retract into the SRD. To avoid possible injury, retract the Lifeline prior to disengagement or hold onto the Lifeline.

1. Remove any load from the Lifeline.
2. Pull and hold the Shift Knob in the unlocked position.
3. Pull the Crank Arm out to disengage and then release the Shift Knob.
4. Pull out and rotate the Retrieval Handle down toward the SRD Body to stowed position.

5.0 Inspection

5.1 RFID TAG: The Self-Retracting Device includes a Radio Frequency Identification (RFID) tag (see Figure 11). The RFID tag (A) can be used in conjunction with the handheld reading device and web based portal to simplify inspection and inventory control and provide records for your fall protection equipment. For details, contact a 3M Customer Service representative (see back cover). Follow the instructions provided with your handheld reader, or on the web portal, to transfer your data to your web log.

5.2 INSPECTION FREQUENCY: The Ultra-Lok Self-Retracting Device must be inspected at the intervals defined in *Section 2 (Inspection Frequency)*. Inspection procedures are described in the "*Inspection & Maintenance Log*" (Table 3).

5.3 UNSAFE OR DEFECTIVE CONDITIONS: If inspection reveals an unsafe, defective condition, remove the Self-Retracting Device from service immediately, mark as "UNUSABLE", and perform a Competent Person inspection to determine service options.

5.4 PRODUCT LIFE: The functional life of DBI-SALA Self-Retracting Devices is determined by work conditions and maintenance. As long as the product passes inspection criteria, it may remain in service.

6.0 Maintenance, Service, and Storage

6.1 CLEANING: Cleaning procedures for the Self-Retracting Device are as follows:

- Periodically clean the exterior of the SRD using water and a mild soap solution. Position the SRD so excess water can drain out. Clean labels as required.
- Clean lifeline with water and mild soap solution. Rinse and thoroughly air dry. Do not force dry with heat. An excessive buildup of dirt, paint, etc., may prevent the lifeline from fully retracting back into the housing causing a potential free fall hazard. Replace lifeline if excessive buildup is present.

6.2 SERVICE: Additional service, determined from the Competent Person inspection, must be completed by an authorized service center. Do not attempt to disassemble the SRD or lubricate any parts.

6.3 STORAGE AND TRANSPORT: Store and transport the SRD in a cool, dry, clean environment out of direct sunlight. Avoid areas where chemical vapors may exist. Thoroughly inspect the SRD after any period of extended storage.

7.0 Labels

Figure 17 illustrates labels on the the Ultra-Lok SRDs and their locations. All labels must be present on the SRD. Labels must be replaced if they are not fully legible. Information provided on each label is as follows:

Ⓐ	Length of Lifeline (Maximum Lifting Distance)
Ⓓ	This product is Radio Frequency Identification (RFID) enabled and contains an electronic tag that can be read by compatible readers - providing inspection logs, inventory management, and other safety information.
Ⓔ	1) Serial Number 2) Model Number 3) Date Manufactured 4) Lot Number 5) Service Dates
Ⓒ	To Lower: Rotate the Crank Arm clockwise. To Raise: Rotate the Crank Arm counterclockwise.
Ⓕ	Retrieval Operation: Ⓐ Loosen Locking Thumbscrew. Ⓑ Rotate the Retrieval Handle up. Ⓒ Pull and hold the Shift Knob. Ⓓ Push the Crank in and release the Shift Knob. If needed, rotate the Crank Arm clockwise slightly to engage the gear. Rotate Crank Arm counterclockwise to lift. Rotate Crank Arm clockwise to lower. Ⓔ Release Shift Knob to lock Crank Arm.

Table 3 – Inspection & Maintenance Log

Serial Number(s):	Date Purchased:
Model Number:	Date of First Use:
Inspected By:	Inspection Date:

Component:	Inspection:	Before Each Use	Competent Person
SRD (Figure 12)	Inspect for loose bolts and bent or damaged parts.	<input type="checkbox"/>	<input type="checkbox"/>
	Inspect Housing (A) for distortion, cracks, or other damage.	<input type="checkbox"/>	<input type="checkbox"/>
	Inspect the Swivel Eye (B) for distortion, cracks, or other damage. The Swivel Eye should be attached securely to the SRD, but should pivot freely.	<input type="checkbox"/>	<input type="checkbox"/>
	The Lifeline (C) should pull out and retract fully without hesitation or creating a slack line condition.	<input type="checkbox"/>	<input type="checkbox"/>
	Ensure device locks up when lifeline is jerked sharply. Lockup should be positive with no slipping. NOTE: SRDs with RSQ should be in Fall Arrest Mode for this test.	<input type="checkbox"/>	<input type="checkbox"/>
	The labels must be present and fully legible (see "Labels").	<input type="checkbox"/>	<input type="checkbox"/>
	Look for signs of corrosion on the entire unit.	<input type="checkbox"/>	<input type="checkbox"/>
Swivel Snap Hook & Impact Indicator (Figure 13)	Inspect the Swivel Snap Hook for signs of damage, corrosion, and working condition. Swivel should rotate freely. Inspect the Impact Indicator. If the Red Band is displayed (Indicated Mode), impact loading has occurred and the SRD must be removed from service and inspected. Do not attempt to reset the Impact Indicator. Return the SRD to an authorized service center for resetting. NOTE: The Swivel will not turn freely when the Impact Indicator is in Indicated Mode.	<input type="checkbox"/>	<input type="checkbox"/>
Wire Rope Lifeline (Figure 14)	Inspect wire rope for cuts, kinks (A), broken wires (B), bird-caging (C), welding splatter (D), corrosion, chemical contact areas, or severely abraded areas. Slide the cable bumper up and inspect ferrules for cracks or damage and inspect the wire rope for corrosion and broken wires. Replace the wire rope assembly if there are six or more randomly distributed broken wires in one lay, or three or more broken wires in one strand in one lay. A "lay" of wire rope is the length of wire rope it takes for a strand (the larger groups of wires) to complete one revolution or twist along the rope. Replace the wire rope assembly if there are any broken wires within 1 inch (25 mm) of the ferrules.	<input type="checkbox"/>	<input type="checkbox"/>
Reserve Lifeline (Figure 15)	Inspect the Reserve Lifeline payout. If a fall has been arrested with most of the lifeline out, the Reserve Lifeline may have been deployed. Pull the lifeline out of the SRD until it stops. If the Button Stop (A) pulls out and is visible, the Reserve Lifeline is spent and the lifeline should be replaced.	<input type="checkbox"/>	<input type="checkbox"/>
Retrieval Integral Rescue Hand Crank (Figure 16)	Inspect the Crank Arm (A) for distortion or other damage. Ensure that the Retrieval Handle (B) can be folded out and secured in the cranking position.	<input type="checkbox"/>	<input type="checkbox"/>
	Ensure the Retrieval Shift Knob (C) can be pulled out to the unlocked position and then released, locking the Crank Arm in both the engaged and disengaged positions.	<input type="checkbox"/>	<input type="checkbox"/>
	Test the retrieval feature for proper operation by raising and lowering a test weight of at least 75 lbs (34 kg). When the Retrieval Handle is released, the weight should not move and the Retrieval Handle should remain in position (no movement). A 'clicking' sound should be audible when raising the load.	<input type="checkbox"/>	<input type="checkbox"/>

Corrective Action/Maintenance:	Approved By:	Next Inspection Due:
	Date:	
Corrective Action/Maintenance:	Approved By:	Next Inspection Due:
	Date:	
Corrective Action/Maintenance:	Approved By:	Next Inspection Due:
	Date:	
Corrective Action/Maintenance:	Approved By:	Next Inspection Due:
	Date:	
Corrective Action/Maintenance:	Approved By:	Next Inspection Due:
	Date:	
Corrective Action/Maintenance:	Approved By:	Next Inspection Due:
	Date:	
Corrective Action/Maintenance:	Approved By:	Next Inspection Due:
	Date:	
Corrective Action/Maintenance:	Approved By:	Next Inspection Due:
	Date:	
Corrective Action/Maintenance:	Approved By:	Next Inspection Due:
	Date:	
Corrective Action/Maintenance:	Approved By:	Next Inspection Due:
	Date:	
Corrective Action/Maintenance:	Approved By:	Next Inspection Due:
	Date:	

GLOBAL PRODUCT WARRANTY, LIMITED REMEDY AND LIMITATION OF LIABILITY

WARRANTY: THE FOLLOWING IS MADE IN LIEU OF ALL WARRANTIES OR CONDITIONS, EXPRESS OR IMPLIED, INCLUDING THE IMPLIED WARRANTIES OR CONDITIONS OF MERCHANTABILITY OR FITNESS FOR A PARTICULAR PURPOSE.

Unless otherwise provided by local laws, 3M fall protection products are warranted against factory defects in workmanship and materials for a period of one year from the date of installation or first use by the original owner.

LIMITED REMEDY: Upon written notice to 3M, 3M will repair or replace any product determined by 3M to have a factory defect in workmanship or materials. 3M reserves the right to require product be returned to its facility for evaluation of warranty claims. This warranty does not cover product damage due to wear, abuse, misuse, damage in transit, failure to maintain the product or other damage beyond 3M's control. 3M will be the sole judge of product condition and warranty options.

This warranty applies only to the original purchaser and is the only warranty applicable to 3M's fall protection products. Please contact 3M's customer service department in your region for assistance.

LIMITATION OF LIABILITY: TO THE EXTENT PERMITTED BY LOCAL LAWS, 3M IS NOT LIABLE FOR ANY INDIRECT, INCIDENTAL, SPECIAL OR CONSEQUENTIAL DAMAGES INCLUDING, BUT NOT LIMITED TO LOSS OF PROFITS, IN ANY WAY RELATED TO THE PRODUCTS REGARDLESS OF THE LEGAL THEORY ASSERTED.



Fall Protection

Distributed by Engineered Fall Protection

Sales@EngineeredFallProtection.com

www.EngineeredFallProtection.com

Tel: (314) 492-4422



EU DECLARATION OF CONFORMITY:
3M.com/FallProtection/DOC






ANSI Z359.14 Class B	
ANSI A10.32	OSHA

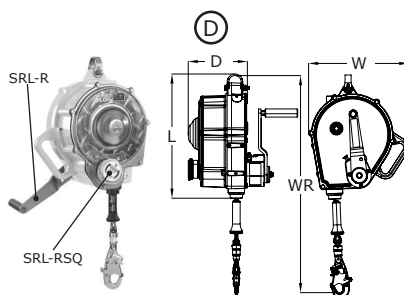
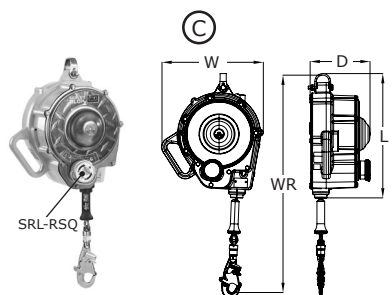
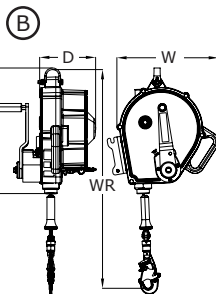
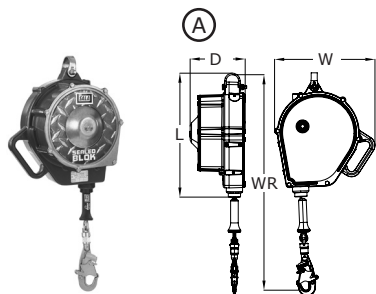
SEALED-BLOK SELF-RETRACTING DEVICES



INSTRUCTION MANUAL

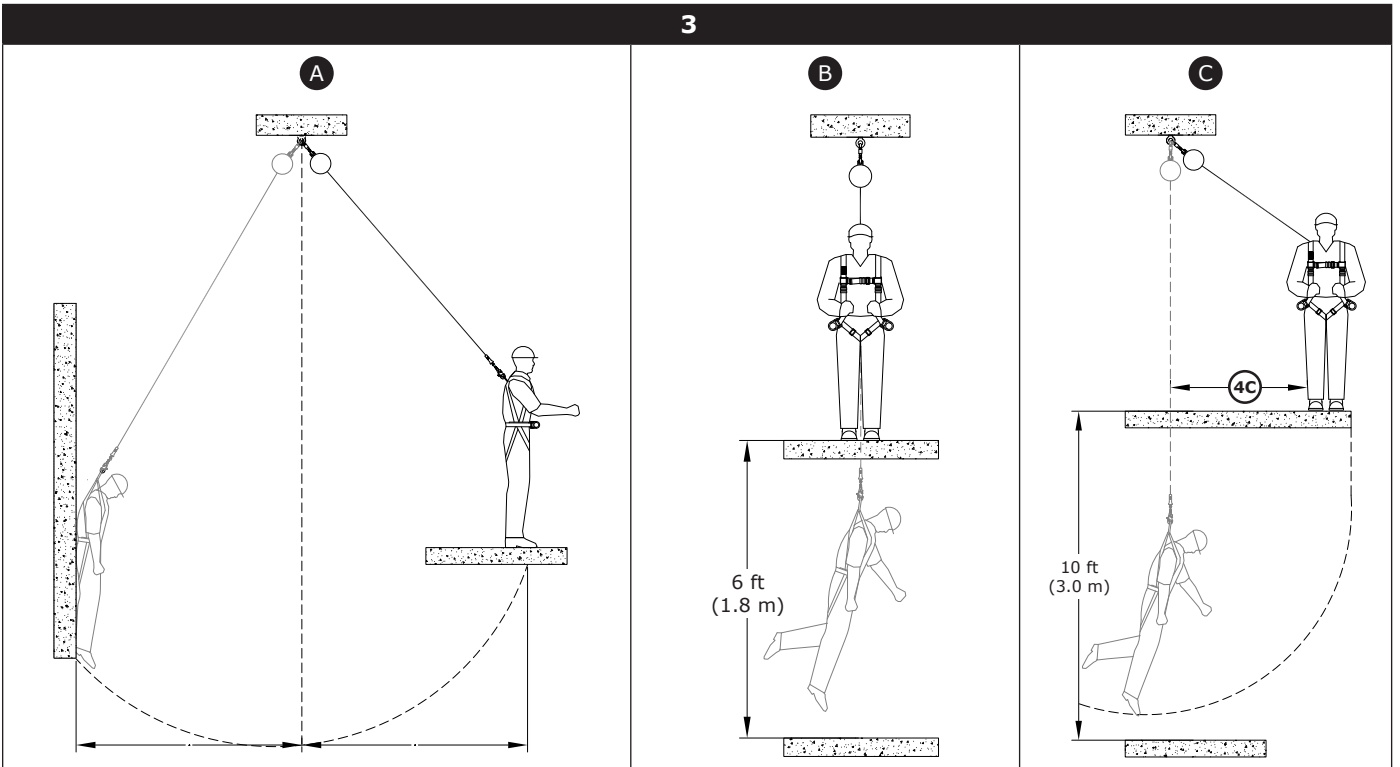
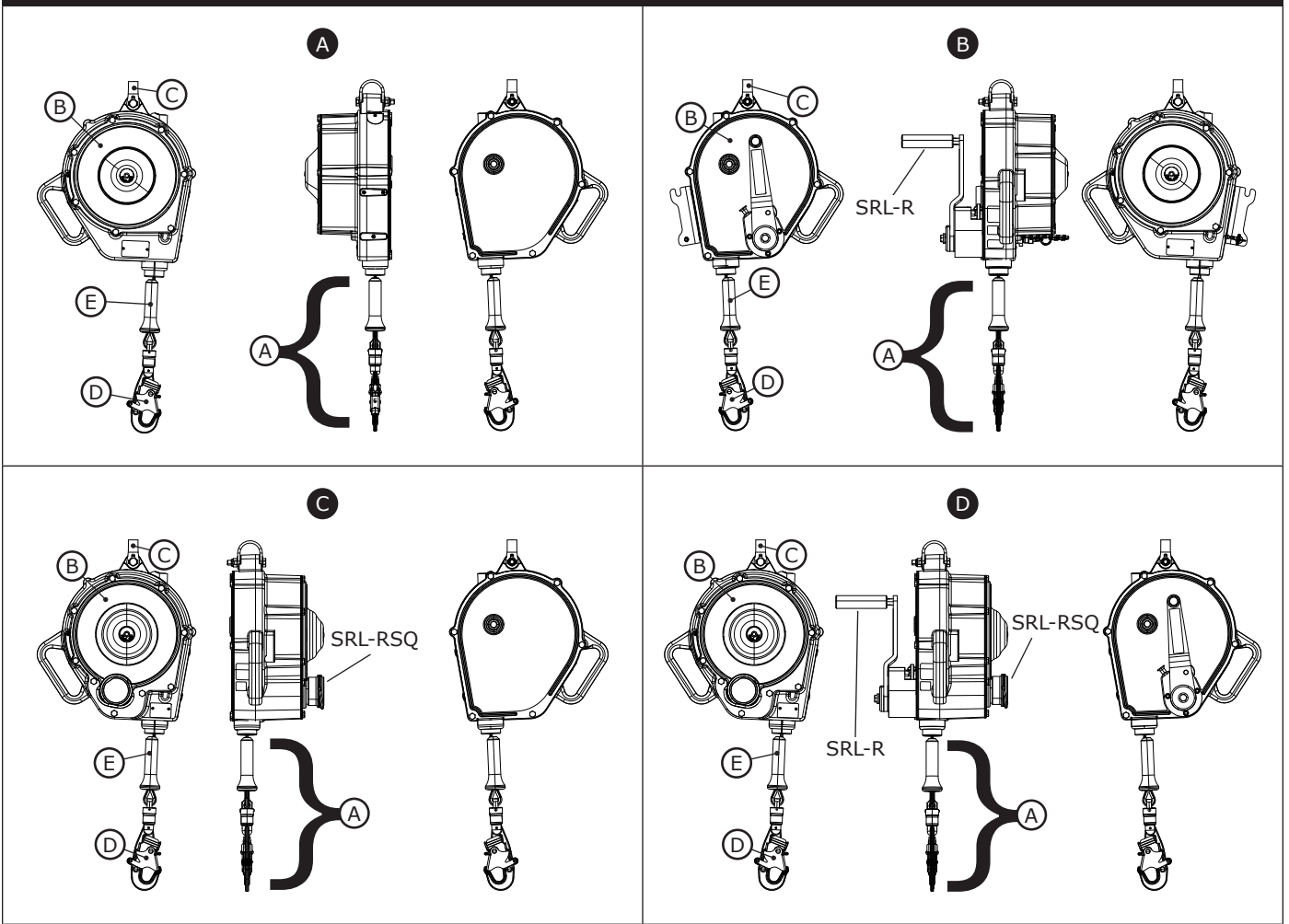
Fall Protection

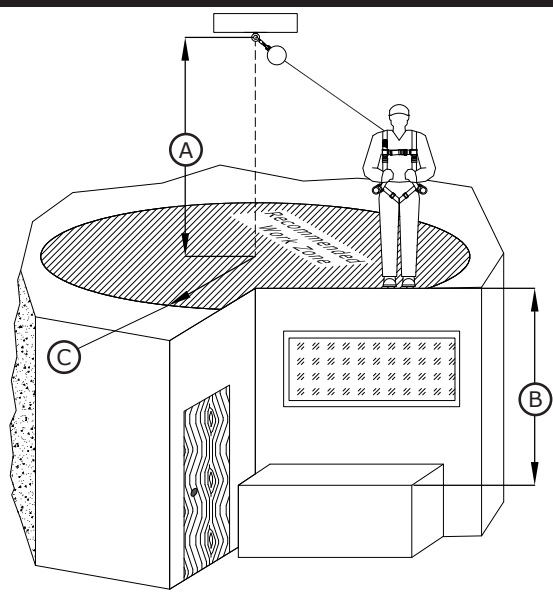
	Sealed-Blok	SRL	SRL-RSQ	SRL-R		LL	L	W	D	 x 1	
	(A) 3400846	✓				3401650	50 ft (15.2 m)	13.3 in (34 cm)	10.4 in (27 cm)	6.9 in (18 cm)	310 lbs (141 kg)
	(A) 3400900	✓				3900105	50 ft (15.2 m)	13.3 in (34 cm)	10.4 in (27 cm)	6.9 in (18 cm)	420 lbs (189 kg)
	(A) 3400901	✓				3900106	50 ft (15.2 m)	13.3 in (34 cm)	10.4 in (27 cm)	6.9 in (18 cm)	420 lbs (189 kg)
	(A) 3400903	✓				3900107	50 ft (15.2 m)	13.3 in (34 cm)	10.4 in (27 cm)	6.9 in (18 cm)	420 lbs (189 kg)
	(B) 3400920			✓		3900105	50 ft (15.2 m)	13.3 in (34 cm)	10.4 in (27 cm)	6.9 in (18 cm)	420 lbs (189 kg)
	(B) 3400921			✓		3900106	50 ft (15.2 m)	13.3 in (34 cm)	10.4 in (27 cm)	6.9 in (18 cm)	420 lbs (189 kg)
	(B) 3400923			✓		3900105	50 ft (15.2 m)	13.3 in (34 cm)	10.4 in (27 cm)	6.9 in (18 cm)	420 lbs (189 kg)
	(C) 3400930		✓			3900105	50 ft (15.2 m)	13.3 in (34 cm)	10.4 in (27 cm)	6.9 in (18 cm)	310 lbs (141 kg)
	(D) 3400940		✓	✓		3900105	50 ft (15.2 m)	13.3 in (34 cm)	10.4 in (27 cm)	6.9 in (18 cm)	310 lbs (141 kg)
	(A) 3400902	✓				3900107	50 ft (15.2 m)	13.3 in (34 cm)	10.4 in (27 cm)	6.9 in (18 cm)	420 lbs (189 kg)
	(B) 3400922			✓		3900107	50 ft (15.2 m)	13.3 in (34 cm)	10.4 in (27 cm)	6.9 in (18 cm)	420 lbs (189 kg)
	(B) 3400924			✓		3900106	50 ft (15.2 m)	13.3 in (34 cm)	10.4 in (27 cm)	6.9 in (18 cm)	420 lbs (189 kg)
	(B) 3400925			✓		3900107	50 ft (15.2 m)	13.3 in (34 cm)	10.4 in (27 cm)	6.9 in (18 cm)	420 lbs (189 kg)
	(B) 3400926			✓		3900107	50 ft (15.2 m)	13.3 in (34 cm)	10.4 in (27 cm)	6.9 in (18 cm)	420 lbs (189 kg)
	(C) 3400931		✓			3900106	50 ft (15.2 m)	13.3 in (34 cm)	10.4 in (27 cm)	6.9 in (18 cm)	310 lbs (141 kg)
	(C) 3400932		✓			3900107	50 ft (15.2 m)	13.3 in (34 cm)	10.4 in (27 cm)	6.9 in (18 cm)	310 lbs (141 kg)
	(D) 3400941		✓	✓		3900106	50 ft (15.2 m)	13.3 in (34 cm)	10.4 in (27 cm)	6.9 in (18 cm)	310 lbs (141 kg)
	(D) 3400942		✓	✓		3900107	50 ft (15.2 m)	13.3 in (34 cm)	10.4 in (27 cm)	6.9 in (18 cm)	310 lbs (141 kg)
	(A) 3400860	✓				3900108	85 ft (25.9 m)	16 in (41 cm)	9.9 in (25 cm)	6.7 in (17 cm)	420 lbs (189 kg)
	(B) 3400870			✓		3900108	85 ft (25.9 m)	16 in (41 cm)	9.9 in (25 cm)	6.7 in (17 cm)	420 lbs (189 kg)
	(B) 3400871			✓		3900108	85 ft (25.9 m)	16 in (41 cm)	9.9 in (25 cm)	6.7 in (17 cm)	420 lbs (189 kg)
	(C) 3400885		✓			3900108	85 ft (25.9 m)	16 in (41 cm)	9.9 in (25 cm)	6.7 in (17 cm)	310 lbs (141 kg)
	(D) 3400910		✓	✓		3900108	85 ft (25.9 m)	16 in (41 cm)	9.9 in (25 cm)	6.7 in (17 cm)	310 lbs (141 kg)
	(A) 3400861	✓				3900109	85 ft (25.9 m)	16 in (41 cm)	9.9 in (25 cm)	6.7 in (17 cm)	420 lbs (189 kg)
	(A) 3400862	✓				3900111	85 ft (25.9 m)	16 in (41 cm)	9.9 in (25 cm)	6.7 in (17 cm)	420 lbs (189 kg)
	(B) 3400872			✓		3900109	85 ft (25.9 m)	16 in (41 cm)	9.9 in (25 cm)	6.7 in (17 cm)	420 lbs (189 kg)
	(B) 3400873			✓		3900109	85 ft (25.9 m)	16 in (41 cm)	9.9 in (25 cm)	6.7 in (17 cm)	420 lbs (189 kg)
	(B) 3400874			✓		3900111	85 ft (25.9 m)	16 in (41 cm)	9.9 in (25 cm)	6.7 in (17 cm)	420 lbs (189 kg)
	(B) 3400882			✓		3900111	85 ft (25.9 m)	16 in (41 cm)	9.9 in (25 cm)	6.7 in (17 cm)	420 lbs (189 kg)
	(C) 3400886		✓			3900111	85 ft (25.9 m)	16 in (41 cm)	9.9 in (25 cm)	6.7 in (17 cm)	310 lbs (141 kg)
	(C) 3400888		✓			3900109	85 ft (25.9 m)	16 in (41 cm)	9.9 in (25 cm)	6.7 in (17 cm)	310 lbs (141 kg)
	(D) 3400911		✓	✓		3900109	85 ft (25.9 m)	16 in (41 cm)	9.9 in (25 cm)	6.7 in (17 cm)	310 lbs (141 kg)
	(D) 3400912		✓	✓		3900111	85 ft (25.9 m)	16 in (41 cm)	9.9 in (25 cm)	6.7 in (17 cm)	310 lbs (141 kg)





	Sealed-Blok	SRL	SRL-RSQ	SRL-R		LL	L	W	D	 x 1
(A)	3400965	✓			3900112	130 ft (39.6 m)	16.8 in (43 cm)	14 in (36 cm)	8 in (20 cm)	420 lbs (189 kg)
(B)	3400975			✓	3900112	130 ft (39.6 m)	16.8 in (43 cm)	14 in (36 cm)	8 in (20 cm)	420 lbs (189 kg)
(B)	3400976			✓	3900112	130 ft (39.6 m)	16.8 in (43 cm)	14 in (36 cm)	8 in (20 cm)	420 lbs (189 kg)
(C)	3400990		✓		3900112	130 ft (39.6 m)	16.8 in (43 cm)	14 in (36 cm)	8 in (20 cm)	310 lbs (141 kg)
(D)	3401002		✓	✓	3900112	130 ft (39.6 m)	16.8 in (43 cm)	14 in (36 cm)	8 in (20 cm)	310 lbs (141 kg)
(A)	3400966	✓			3900113	130 ft (39.6 m)	16.8 in (43 cm)	14 in (36 cm)	8 in (20 cm)	420 lbs (189 kg)
(A)	3400967	✓			3900114	130 ft (39.6 m)	16.8 in (43 cm)	14 in (36 cm)	8 in (20 cm)	420 lbs (189 kg)
(B)	3400977			✓	3900113	130 ft (39.6 m)	16.8 in (43 cm)	14 in (36 cm)	8 in (20 cm)	420 lbs (189 kg)
(B)	3400978			✓	3900113	130 ft (39.6 m)	16.8 in (43 cm)	14 in (36 cm)	8 in (20 cm)	420 lbs (189 kg)
(B)	3400979			✓	3900114	130 ft (39.6 m)	16.8 in (43 cm)	14 in (36 cm)	8 in (20 cm)	420 lbs (189 kg)
(B)	3400987			✓	3900114	130 ft (39.6 m)	16.8 in (43 cm)	14 in (36 cm)	8 in (20 cm)	420 lbs (189 kg)
(C)	3400991		✓		3900114	130 ft (39.6 m)	16.8 in (43 cm)	14 in (36 cm)	8 in (20 cm)	310 lbs (141 kg)
(C)	3400993		✓		3900113	130 ft (39.6 m)	16.8 in (43 cm)	14 in (36 cm)	8 in (20 cm)	310 lbs (141 kg)
(B)	3401003			✓	3900113	130 ft (39.6 m)	16.8 in (43 cm)	14 in (36 cm)	8 in (20 cm)	310 lbs (141 kg)
(D)	3401004		✓	✓	3900114	130 ft (39.6 m)	16.8 in (43 cm)	14 in (36 cm)	8 in (20 cm)	310 lbs (141 kg)
(B)	3401028			✓	3900174	130 ft (39.6 m)	16.8 in (43 cm)	14 in (36 cm)	8 in (20 cm)	310 lbs (141 kg)
(A)	3400650	✓			3900168	175 ft (53.3 m)	16.8 in (43 cm)	14 in (36 cm)	12.3 in (31 cm)	420 lbs (189 kg)
(A)	3400651	✓			3900169	175 ft (53.3 m)	16.8 in (43 cm)	14 in (36 cm)	12.3 in (31 cm)	310 lbs (141 kg)
(A)	3400652	✓			3900170	175 ft (53.3 m)	16.8 in (43 cm)	14 in (36 cm)	12.3 in (31 cm)	420 lbs (189 kg)
(A)	3400659	✓			3900170	175 ft (53.3 m)	16.8 in (43 cm)	14 in (36 cm)	12.3 in (31 cm)	310 lbs (141 kg)
(B)	3400660			✓	3900168	175 ft (53.3 m)	16.8 in (43 cm)	14 in (36 cm)	12.3 in (31 cm)	420 lbs (189 kg)
(B)	3400661			✓	3900170	175 ft (53.3 m)	16.8 in (43 cm)	14 in (36 cm)	12.3 in (31 cm)	420 lbs (189 kg)



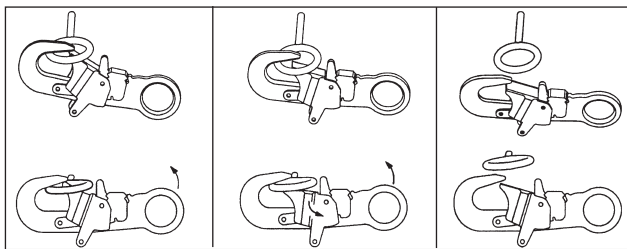


	B					
	<6 ft (1.8m)	6 ft (1.8m)	7 ft (2.1m)	8 ft (2.4m)	9 ft (2.7m)	≥10 ft (3m)
8 ft (2.4m)	X	0 ft (0m)	2.5 ft (0.76m)	3.8 ft (1.16m)	5 ft (1.52m)	6.1 ft (1.86m)
10 ft (3m)	X	0 ft (0m)	3.2 ft (0.98m)	4.7 ft (1.43m)	6.1 ft (1.86m)	7.3 ft (2.23m)
20 ft (6.1m)	X	0 ft (0m)	5.5 ft (1.68m)	7.9 ft (2.41m)	9.8 ft (2.99m)	11.5 ft (3.51m)
30 ft (9.1m)	X	0 ft (0m)	7.1 ft (2.16m)	10.1 ft (3.08m)	12.5 ft (3.81m)	14.6 ft (4.45m)
50 (15.2)	X	0 ft (0m)	9.5 ft (2.90m)	13.5 ft (4.11m)	16.6 ft (5.06m)	19.3 ft (5.88m)
70 ft (21.3m)	X	0 ft (0m)	11.4 ft (3.47m)	16.2 ft (4.94m)	19.9 ft (6.07m)	23.1 ft (7.04m)
90 ft (27.4m)	X	0 ft (0m)	13 ft (3.96m)	18.5 ft (5.64m)	22.7 ft (6.92m)	26.3 ft (8.02m)
110 ft (33.5m)	X	0 ft (0m)	14.5 ft (4.42m)	20.6 ft (6.28m)	25.2 ft (7.68m)	29.2 ft (8.9m)
130 ft (39.6m)	X	0 ft (0m)	15.8 ft (4.82m)	22.4 ft (6.83m)	27.5 ft (8.38m)	31.8 ft (9.69m)
150 ft (45.7m)	X	0 ft (0m)	17.4 ft (5.30m)	24.1 ft (7.35m)	29.6 ft (9.02m)	34.2 ft (10.42m)
170 ft (51.8m)	X	0 ft (0m)	18.2 ft (5.55m)	25.7 ft (7.83m)	31.6 ft (9.63m)	36.5 ft (11.13m)
190 ft (57.9)	X	0 ft (0m)	19.2 ft (5.85m)	27.2 ft (8.29m)	33.4 ft (10.18m)	38.6 ft (11.77m)

C

5

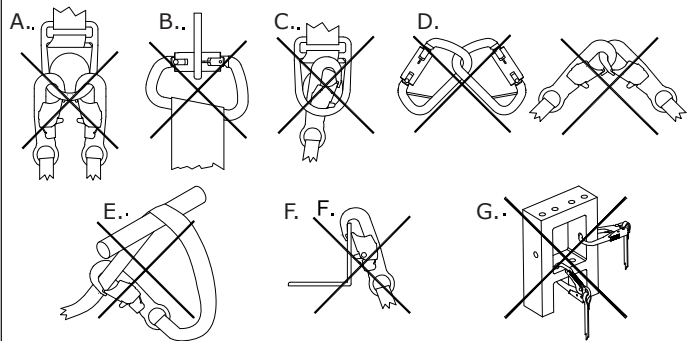
6



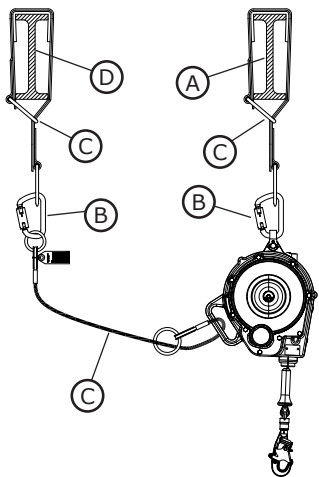
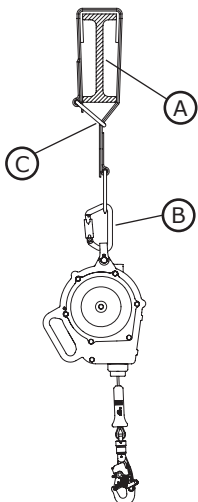
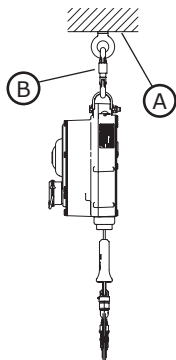
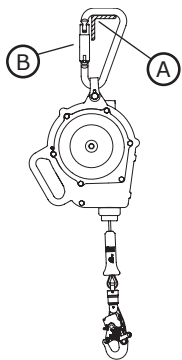
A

B

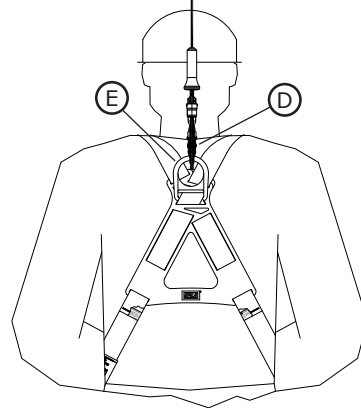
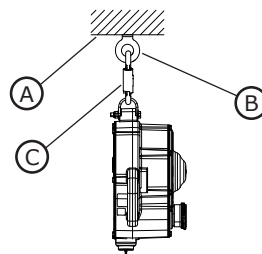
C



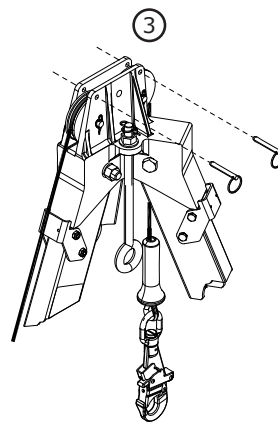
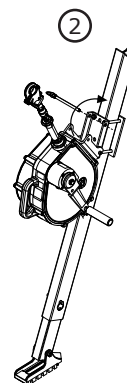
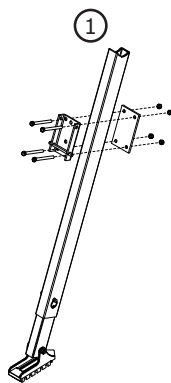
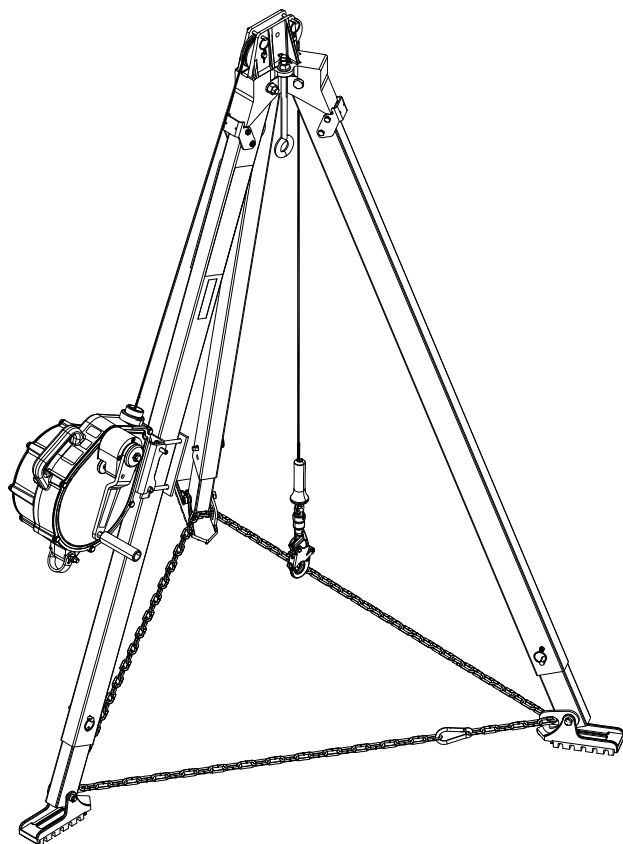
7

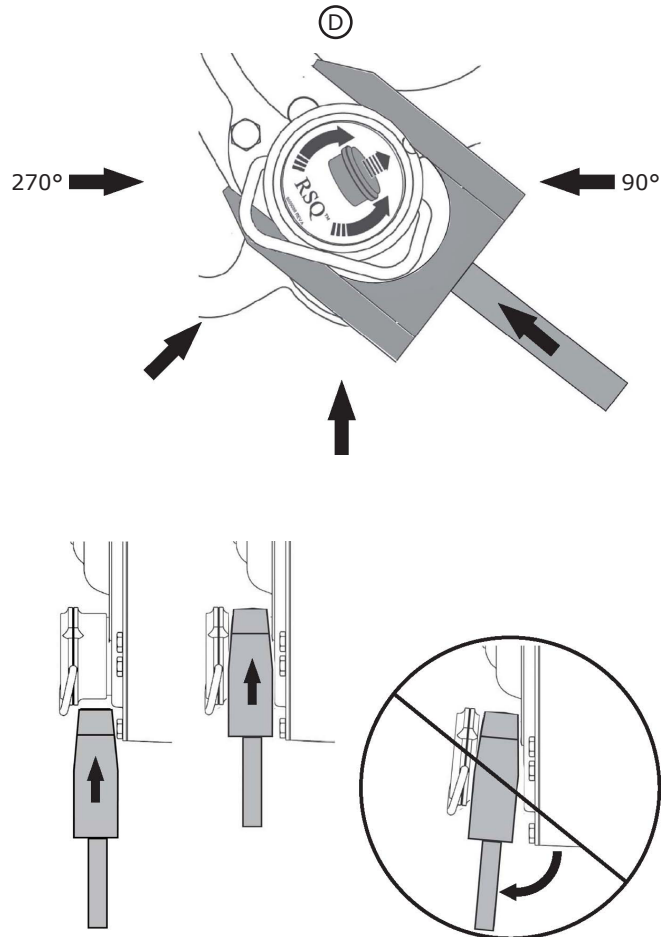
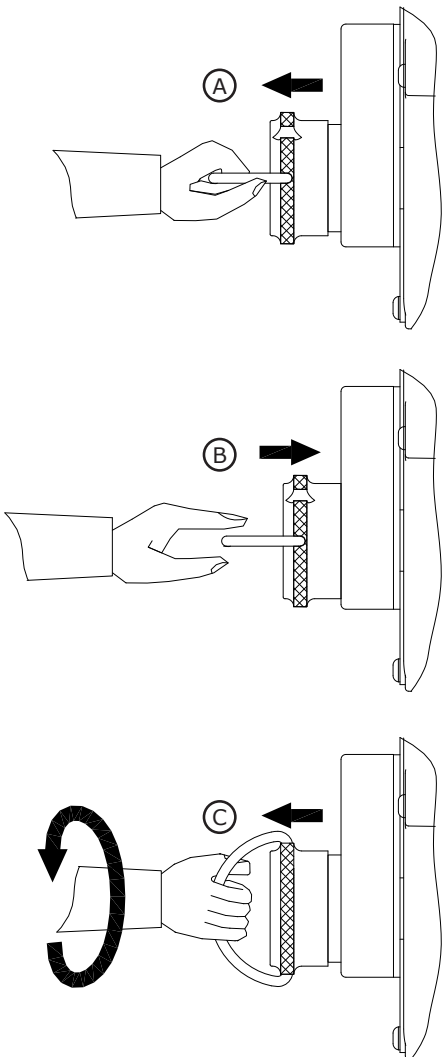
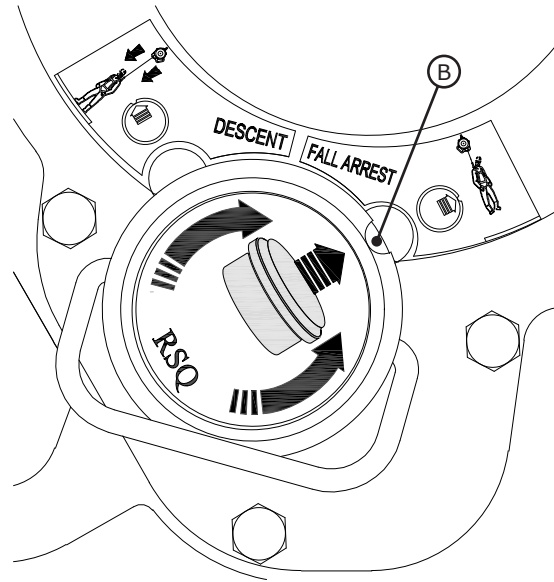
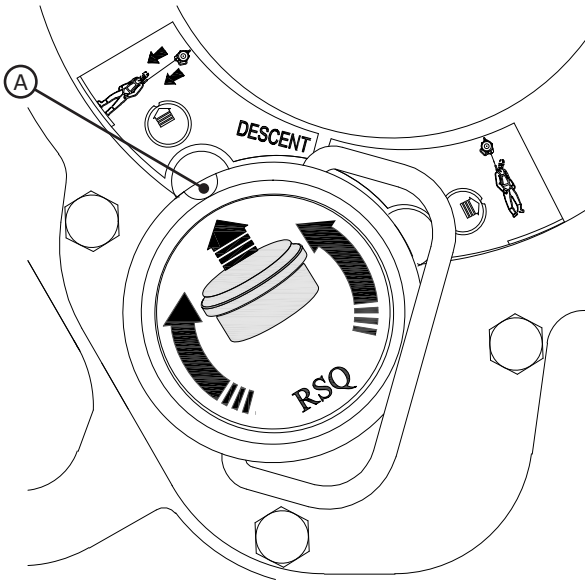


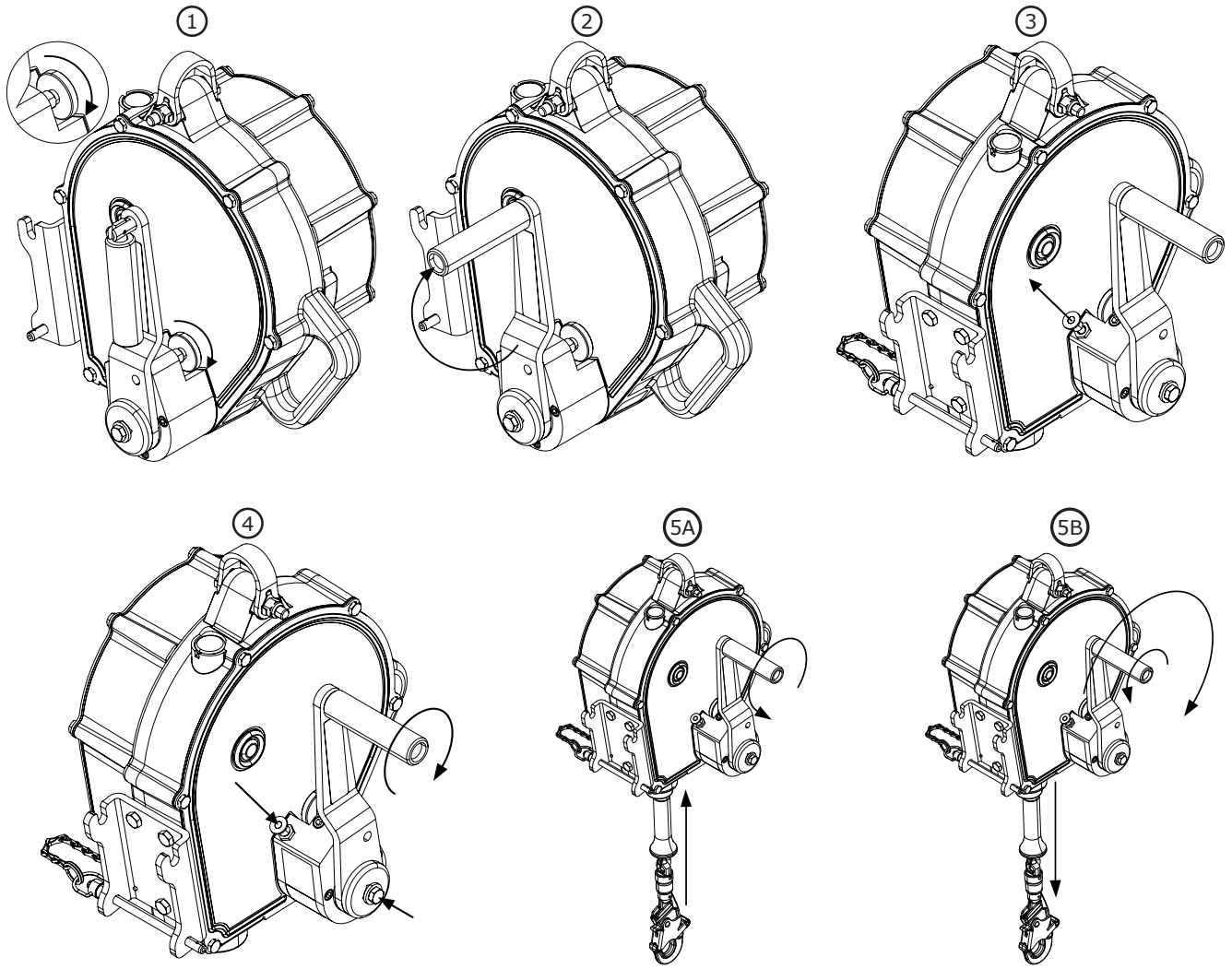
8



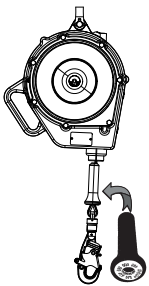
9



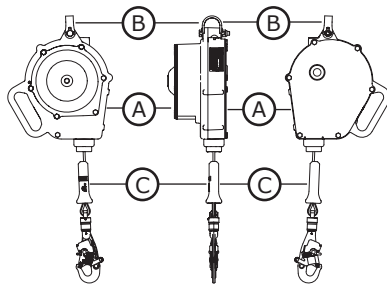




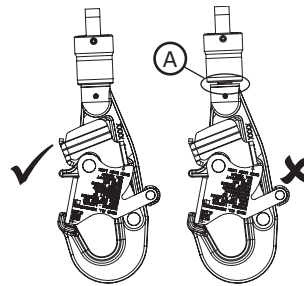
13



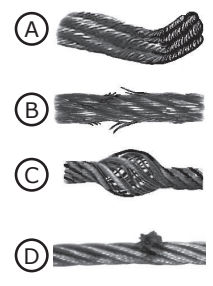
14



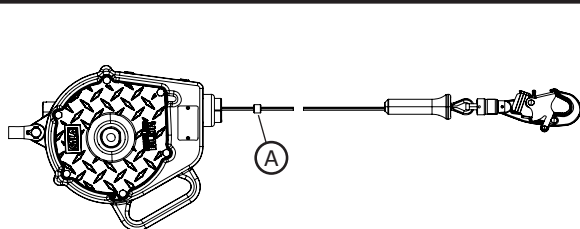
15



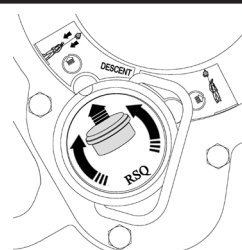
16



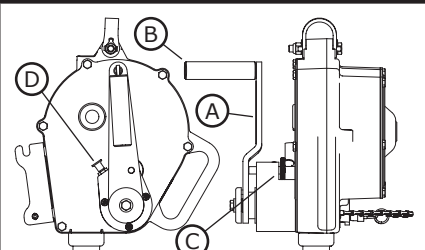
17



18



19



SAFETY INFORMATION

Please read, understand, and follow all safety information contained in these instructions prior to the use of this Self-Retracting Device (SRD). FAILURE TO DO SO COULD RESULT IN SERIOUS INJURY OR DEATH.

These instructions must be provided to the user of this equipment. Retain these instructions for future reference.

Intended Use:

This Self-Retracting Device is intended for use as part of a complete personal fall protection system.

Use in any other application including, but not limited to, material handling, recreational or sports related activities, or other activities not described in the User Instructions, is not approved by 3M and could result in serious injury or death.


This device is only to be used by trained users in workplace applications.

! WARNING

This Self-Retracting Device is part of a personal fall protection system. It is expected that all users be fully trained in the safe installation and operation of their personal fall protection system. **Misuse of this device could result in serious injury or death.** For proper selection, operation, installation, maintenance, and service, refer to these User Instructions including all manufacturer recommendations, see your supervisor, or contact 3M Technical Services.

- **To reduce the risks associated with working with an SRD which, if not avoided, could result in serious injury or death:**
 - Before each use, inspect the SRD and check for proper locking and retraction.
 - If inspection reveals an unsafe or defective condition, remove the device from service and repair or replace according to the User Instructions.
 - If the SRD has been subjected to fall arrest or impact force, immediately remove the SRD from service and label the device 'UNUSABLE'.
 - Ensure the lifeline is kept free from any and all obstructions including, but not limited to; entanglement with moving machinery or equipment (e.g., the top drive of oil rigs), other workers, yourself, surrounding objects, or impact from overhead objects that could fall onto the lifeline or the worker.
 - Never allow slack in the lifeline. Do not tie or knot the lifeline.
 - Attach the unused leg(s) of the Harness Mounted SRD to the parking attachment(s) of the harness if equipped.
 - Do not use in applications that have an obstructed fall path. Working on slowly shifting material, such as sand or grain, or within confined or cramped spaces, may not allow the worker to reach sufficient speed to cause the SRD to lock. A clear path is required to assure positive locking of the SRD.
 - Avoid sudden or quick movements during normal work operation. This may cause the device to lock up.
 - Ensure that fall protection systems/subsystems assembled from components made by different manufacturers are compatible and meet the requirements of applicable standards, including the ANSI Z359 or other applicable fall protection codes, standards, or requirements. Always consult a Competent and/or Qualified Person before using these systems.
 - (DEVICES WITH MAGNETS) Avoid close proximity to implanted medical devices.
- **To reduce the risks associated with working at height which, if not avoided, could result in serious injury or death:**
 - Ensure your health and physical condition allow you to safely withstand all of the forces associated with working at height. Consult with your doctor if you have any questions regarding your ability to use this equipment.
 - Never exceed allowable capacity of your fall protection equipment.
 - Never exceed maximum free fall distance of your fall protection equipment.
 - Do not use any fall protection equipment that fails pre-use or other scheduled inspections, or if you have concerns about the use or suitability of the equipment for your application. Contact 3M Technical Services with any questions.
 - Some subsystem and component combinations may interfere with the operation of this equipment. Only use compatible connections. Consult 3M prior to using this equipment in combination with components or subsystems other than those described in the User Instructions.
 - Use extra precautions when working around moving machinery (e.g. top drive of oil rigs) electrical hazards, extreme temperatures, chemical hazards, explosive or toxic gases, sharp edges, or below overhead materials that could fall onto you or your fall protection equipment.
 - Use Arc Flash or Hot Works devices when working in high heat environments.
 - Avoid surfaces and objects that can damage the user or equipment.
 - Ensure there is adequate fall clearance when working at height.
 - Never modify or alter your fall protection equipment. Only 3M or parties authorized in writing by 3M may make repairs to the equipment.
 - Prior to use of fall protection equipment, ensure a rescue plan is in place which allows for prompt rescue if a fall incident occurs.
 - If a fall incident occurs, immediately seek medical attention for the worker who has fallen.
 - Do not use a body belt for fall arrest applications. Use only a Full Body Harness.
 - Minimize swing falls by working as directly below the anchorage point as possible.
 - If training with this device, a secondary fall protection system must be utilized in a manner that does not expose the trainee to an unintended fall hazard.
 - Always wear appropriate personal protective equipment when installing, using, or inspecting the device/system.

MAGNET SAFETY INFORMATION

 **WARNING:** (SRDs WITH MAGNETS) To reduce the risks associated with working with SRDs with magnets which, if not avoided, could result in serious injury or death, avoid close proximity to implanted medical devices.

Some of the SRDs covered in this instruction manual have strong permanent magnets:

- Permanent magnets are very strong. Handling them with care is necessary to prevent personal injuries, property damages and magnet damages.
- Permanent magnets are brittle. They can be broken or can splinter in a collision. One should wear gloves and protective glasses when handling these magnets, because splinters and/or spacers could disengage and fly from the magnets.
- The strong magnetic fields of permanent magnets can damage items such as televisions, computer monitors, credit cards, bank cards, computers, diskettes and other data carriers, video tapes, mechanical watches, hearing aids, loud speakers, and VCRs. Pacemakers may be damaged or switch to "Test Mode" in the presence of a strong magnetic force. If a pacemaker is in use, keep a minimum distance of 1 foot.
- Under no circumstances should you try to cut, saw or drill the magnets. Not only will the magnet break, but the resulting dust from the magnet is very flammable. Magnets should never be burned, as burning them will create toxic fumes.

Before using this equipment, record the product identification information from the ID label in the 'Inspection and Maintenance Log' at the back of this manual.

DESCRIPTION:

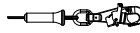
Figure 2 identifies key components of the DBI-SALA Sealed-Blok Self-Retracting Devices (SRDs). Sealed-Blok SRDs are drum wound Wire Rope Lifelines (A) which retract into sealed aluminum Housing (B). They can hang from anchorage by a Carabiner attached through the Swivel Eye (C) on the top of the SRD. A Self-Locking Snap Hook (D) on the end of the Lifeline attaches to the designated Fall Arrest connection on a Full Body Harness. A Bumper (E), protects the Wire Rope and Ferrules securing the Snap Hook from abrasion and corrosion.

Figure 1 defines the Sealed-Blok SRD models covered by this instruction manual. The following SRD Types are available:

- **Self-Retracting Lanyard (Figure 2A):** Self-Retracting Lanyards (SRLs) are suitable for applications where the lifeline remains generally vertical during use and possible Free Fall is limited to 2 ft (0.6 m).
- **Self-Retracting Lanyard with Rescue:** Self-Retracting Lanyards with Rescue include an integral means for assisted rescue by raising or lowering the rescue subject. SRL-Rs are equipped with a 3-Way Emergency Retrieval Hand Crank (Figure 2B). SRL-RSs are equipped with an RSQ Rescue/Descent Kob (Figure 2C). Some rescue models are equipped with both rescue components (Figure 2D). Some models include a Tripod Mounting Bracket (I) to mount the SRL on the leg of a Tripod for Confined Space applications.

Table 1 – Specifications

Owners of FAST-Line Sealed Blok SRLs with a date of manufacture after January 4, 2015 are no longer required to send their Fast-Line SRLs back to Capital Safety for recertification in the event of a fall or if the impact indicator indicates the hook is in need of replacement. Simply replace the cable and hook via FAST-Line in accordance with the FAST-Line Service Manual (5903076) and complete the Competent Person inspection.

 Fast-Line	Lifeline Description	Hook
3900105	50 ft. (15 m) of 3/16 in. (4.76 mm) galvanized wire rope, self locking plated steel swiveling snap hook with indicator.	2000180
3900106	50 ft. (15 m) of 3/16 in. (4.76 mm) stainless wire rope, self locking plated steel swiveling snap hook with indicator.	2000180
3900107	50 ft. (15 m) of 3/16 in. (4.76 mm) stainless wire rope, self locking stainless steel swiveling snap hook with indicator.	2000181
3900108	85 ft. (26 m) of 3/16 in. (4.76 mm) galvanized wire rope, self locking plated steel swiveling snap hook with indicator.	2000180
3900109	85 ft. (26 m) of 3/16 in. (4.76 mm) stainless wire rope, self locking plated steel swiveling snap hook with indicator.	2000180
3900111	85 ft. (26 m) of 3/16 in. (4.76 mm) stainless wire rope, self locking stainless steel swiveling snap hook with indicator.	2000181
3900112	130 ft. (40 m) of 3/16 in. (4.76 mm) galvanized wire rope, self locking plated steel swiveling snap hook with indicator.	2000180
3900113	130 ft. (40 m) of 3/16 in. (4.76 mm) stainless wire rope, self locking plated steel swiveling snap hook with indicator.	2000180
3900114	130 ft. (40 m) of 3/16 in. (4.76 mm) stainless wire rope, self locking stainless steel swiveling snap hook with indicator.	2000181
3900168	175 ft. (53 m) of 3/16 in. (4.76 mm) galvanized wire rope, self locking plated steel swiveling snap hook with indicator.	2000180
3900169	175 ft. (53 m) of 3/16 in. (4.76 mm) stainless wire rope, self locking plated steel swiveling snap hook with indicator.	2000180
3900170	175 ft. (53 m) of 3/16 in. (4.76 mm) stainless wire rope, self locking stainless steel swiveling snap hook with indicator.	2000181

Hook	Description	Material	Gate Strength	Throat Size
2000180	Swiveling Self-Locking Snap Hook with Impact Indicator	Alloy Steel	3,600 lbs (16 kN)	3/4 in (1.9 cm)
2000181	Swiveling Self-Locking Snap Hook with Impact Indicator	Stainless Steel	3,600 lbs (16 kN)	3/4 in (1.9 cm)

Casing:	Sealed Aluminum Casing
Wire Rope Lifeline Tensile Strength:	Galvanized Steel - Min. Tensile Strength 4,200 lbs (18.7 kN) Stainless Steel - Min. Tensile Strength 3,600 lbs (16.0 kN)
Maximum Arrest Force:	1,350 lbs (6 kN)
Average Arrest Force:	900 lbs (4 Kn)
Maximum Arrest Distance:	42 in (1.1 m)
Average Locking Speed:	4.5 ft/s (1.4 m/s)
RSQ Descent Speed Range:	2-3 ft/s (0.6 - 0.9 m/s)

1.0 APPLICATIONS

- 1.1 PURPOSE:** Self-Retracting Devices (SRDs) are designed to be a component in a personal fall arrest system (PFAS). Figure 1 illustrates SRDs covered by this instruction manual. They may be used in most situations where a combination of worker mobility and fall protection is required (i.e. inspection work, general construction, maintenance work, oil production, confined space work, etc.).
- 1.2 STANDARDS:** Your SRD conforms to the national or regional standard(s) identified on the front cover of these instructions. Refer to the local, state, and federal (OSHA) requirements governing occupational safety for additional information regarding Personal Fall Protection.
- 1.3 TRAINING:** This equipment is intended to be used by persons trained in its correct application and use. It is the responsibility of the user to assure they are familiar with these instructions and are trained in the correct care and use of this equipment. Users must also be aware of the operating characteristics, application limits, and the consequences of improper use.
- 1.4 LIMITATIONS:** Always consider the following limitations when installing or using this equipment:

- **Capacity:** Per ANSI Z359.14 requirements, SRDs are for use by one person with a combined weight (clothing, tools, etc.) from 130 lbs (59 kg) to 310 lbs (141 kg).¹ Make sure all of the components in your system are rated to a capacity appropriate to your application.
- **Anchorage:** Anchorages selected for fall arrest systems shall have a strength capable of sustaining static loads applied in the directions permitted by the system of at least:
 1. 5,000 lbf (22.2 kN) for non-certified anchorages, or
 2. Two times the maximum arresting force for certified anchorages.

When more than one fall arrest system is attached to an anchorage, the strengths set forth in (1) and (2) above shall be multiplied by the number of systems attached to the anchorage.

FROM OSHA 1926.502 AND 1910.140: Anchorages used for attachment of personal fall arrest systems shall be independent of any anchorage being used to support or suspend platforms, and capable of supporting at least 5,000 lbs. per user attached, or be designed, installed, and used as part of a complete personal fall arrest systems which maintains a safety factor of at least two, and is under the supervision of a qualified person.

- **Locking Speed:** Situations which do not allow for an unobstructed fall path should be avoided. Working in confined or cramped spaces may not allow the body to reach sufficient speed to cause the SRD to lock if a fall occurs. Working on slowly shifting material, such as sand or grain, may not allow enough speed buildup to cause the SRD to lock. A clear path is required to assure positive locking of the SRD.
- **Free Fall:** When used correctly, SRDs will limit the free fall distance to 2 ft. (61 cm). To avoid increased fall distances, do not work above the anchorage level. Do not lengthen SRDs by connecting a lanyard or similar component without consulting 3M. Never clamp, knot, or prevent the lifeline from retracting or being taut. Avoid slack line.
- **Swing Falls:** Swing Falls occur when the anchorage point is not directly above the point where a fall occurs. The force of striking an object in a swing fall may cause serious injury (see Figure 3A). Minimize swing falls by working as directly below the anchorage point as possible.
- **Fall Clearance:** Figures 3B and 3C illustrate Fall Clearance. SRD Fall Arrest Systems should have a minimum Fall Clearance of 6 ft (2 m) for falls from a standing position where the SRD is anchored directly overhead (Figure 3B). Falls from a kneeling or crouching position will require an additional 3 ft (1 m) of Fall Clearance. In swing fall situations (Figure 3C), the total vertical fall distance will be greater than if the user had fallen directly below the anchorage point and requires additional Fall Clearance. Figure 4 and the accompanying table define the Maximum Work Radius (C) for various SRD Anchorage Heights (A) and Fall Clearances (B). The Recommended Work Zone is limited to the area located within the Maximum Work Radius.
- **Hazards:** Use of this equipment in areas where surrounding hazards exist may require additional precautions to reduce the possibility of injury to the user or damage to the equipment. Hazards may include, but are not limited to: high heat, caustic chemicals, corrosive environments, high voltage power lines, explosive or toxic gases, moving machinery, or overhead materials that may fall and contact the user or fall arrest system. Avoid working where your lifeline may cross or tangle with that of another worker. Avoid working where an object may fall and strike the lifeline; resulting in loss of balance or damage to the lifeline. Do not allow the lifeline to pass under arms or between legs.
- **Sharp Edges:** Avoid working where the lifeline will be in contact with or abrade against unprotected sharp edges. Where contact with a sharp edge is unavoidable, cover the edge with a protective material.

¹ **Capacity:** 130 lbs -310 lbs (59 kg- 141 kg) is the capacity range required by standard ANSI Z359.14 Class B. Some SRDs also support a 420 lbs (191 kg) Maximum Capacity per OSHA. See Figure 1 for the SRD models covered by this instruction and their Maximum Capacities.

2.0 Use

- 2.1 FALL PROTECTION AND RESCUE PLAN:** The employer must have a Fall Protection and Rescue Plan in place that meets *ANSI Z359.2 Minimum Requirements for a Comprehensive Managed Fall Protection Program*. The plan should provide guidelines and requirements for an employer's managed fall protection program, including policies, duties and training; fall protection procedures; eliminating and controlling fall hazards; rescue procedures; incident investigations; and evaluating program effectiveness.
- 2.2 INSPECTION FREQUENCY:** SRDs shall be inspected by the authorized person¹ or rescuer² before each use (See Table 3). Additionally, inspections shall be conducted by a competent person³ other than the user. Extreme working conditions (harsh environment, prolonged use, etc.) may necessitate more frequent competent person inspections. The competent person shall use the *Inspection Schedule (Table 3)* to determine appropriate inspection intervals. Inspection procedures are described in the *Inspection & Maintenance Log (Table 3)*. Results of the Competent Person inspection should be recorded in the *Inspection and Maintenance Log* or recorded with the Radio Frequency Identification (RFID) system (see Section 5).
- 2.3 NORMAL OPERATIONS:** Normal operation will allow the lifeline to extend and retract with no hesitation or slack as the worker moves at normal speeds. If a fall occurs, a speed sensing brake system will activate, stopping the fall and absorbing much of the energy created. Sudden or quick movements should be avoided during normal work operation, as this may cause the SRD to lock up. For falls which occur near the end of the lifeline travel, a reserve lifeline system or Energy Absorber has been incorporated to reduce the fall arrest forces.
- 2.4 BODY SUPPORT:** A Full Body Harness must be used with the Self-Retracting Device. The harness connection point must be above the user's center of gravity. A body belt is not authorized for use with the Self-Retracting Device. If a fall occurs when using a body belt it may cause unintentional release or physical trauma from improper body support.
- 2.5 COMPATIBILITY OF COMPONENTS:** Unless otherwise noted, 3M equipment is designed for use with 3M approved components and subsystems only. Substitutions or replacements made with non approved components or subsystems may jeopardize compatibility of equipment and may affect safety and reliability of the complete system.
- 2.6 COMPATIBILITY OF CONNECTORS:** Connectors are considered to be compatible with connecting elements when they have been designed to work together in such a way that their sizes and shapes do not cause their gate mechanisms to inadvertently open regardless of how they become oriented. Contact 3M if you have any questions about compatibility. Connectors (hooks, carabiners, and D-rings) must be capable of supporting at least 5,000 lbs. (22.2 kN). Connectors must be compatible with the anchorage or other system components. Do not use equipment that is not compatible. Non-compatible connectors may unintentionally disengage (see Figure 5). Connectors must be compatible in size, shape, and strength. Self-locking snap hooks and carabiners are required. If the connecting element to which a snap hook or carabiner attaches is undersized or irregular in shape, a situation could occur where the connecting element applies a force to the gate of the snap hook or carabiner (A). This force may cause the gate to open (B), allowing the snap hook or carabiner to disengage from the connecting point (C).
- 2.7 MAKING CONNECTIONS:** Snap hooks and carabiners used with this equipment must be self-locking. Ensure all connections are compatible in size, shape and strength. Do not use equipment that is not compatible. Ensure all connectors are fully closed and locked. 3M connectors (snap hooks and carabiners) are designed to be used only as specified in each product's user's instructions. See Figure 6 for examples of inappropriate connections. Do not connect snap hooks and carabiners:
- To a D-ring to which another connector is attached.
 - In a manner that would result in a load on the gate. Large throat snap hooks should not be connected to standard size D-rings or similar objects which will result in a load on the gate if the hook or D-ring twists or rotates, unless the snap hook is equipped with a 3,600 lb (16 kN) gate.
 - In a false engagement, where size or shape of the mating connectors are not compatible and, without visual confirmation, the connectors seem fully engaged.
 - To each other.
 - Directly to webbing or rope lanyard or tie-back (unless the manufacturer's instructions for both the lanyard and connector specifically allows such a connection).
 - To any object which is shaped or dimensioned such that the snap hook or carabiner will not close and lock, or that roll-out could occur.
 - In a manner that does not allow the connector to align properly while under load.

Table 2 – Inspection Schedule

Type of Use	Application Examples	Conditions of Use	Inspection Frequency
			Competent Person
Infrequent to Light	Rescue and Confined Space, Factory Maintenance	Good Storage Conditions, Indoor or Infrequent Outdoor Use, Room Temperature, Clean Environments	Annually
Moderate to Heavy	Transportation, Residential Construction, Utilities, Warehouse	Fair Storage Conditions, Indoor and Extended Outdoor Use, All Temperatures, Clean or Dusty Environments	Semi-Annually to Annually
Severe to Continuous	Commercial Construction, Oil and Gas, Mining	Harsh Storage Conditions, Prolonged or Continuous Outdoor Use, All Temperatures, Dirty Environment	Quarterly to Semi-Annually

- 1 Authorized Person:** A person assigned by the employer to perform duties at a location where the person will be exposed to a fall hazard.
- 2 Rescuer:** Person or persons other than the rescue subject acting to perform an assisted rescue by operation of a rescue system.
- 3 Competent Person:** An individual designated by the employer to be responsible for the immediate supervision, implementation, and monitoring of the employer's managed fall protection program who, through training and knowledge, is capable of identifying, evaluating, and addressing existing and potential fall hazards, and who has the employer's authority to take prompt corrective action with regard to such hazards.

3.0 Installation

- 3.1 PLANNING:** Plan your fall protection system before starting your work. Account for all factors that may affect your safety before, during, and after a fall. Consider all requirements and limitations defined in this manual.
- 3.2 ANCHORAGE:** Figure 7 illustrates typical SRL anchorage connections. The anchorage (A) should be directly overhead to minimize Free Fall and Swing Fall hazards (see Section 2). Select a rigid anchorage point capable of sustaining the static loads defined in Section 2.2. The Swivel Eye on the SRL is equipped with a Carabiner (B). Attach the Carabiner directly to the anchorage structure (rebar, angle iron, etc.), a Tie-Off Adaptor (C), or Anchorage Connection Point (D).
- 3.3 HARNESS CONNECTION:** A Full Body Harness is required for Fall Arrest applications. Connect the Snap Hook (A) on the SRL Lifeline to the Back Dorsal D-Ring (B) on the Full Body Harness. (see Figure 8). For situations such as ladder climbing, it may be useful to connect to the front Sternal D-Ring. Consult the harness manufacturer's instructions for details regarding use of the harness connection points.
- 3.4 TRIPOD MOUNTING:** Figure 9 illustrates installation of the Sealed-Blok Self-Retracting Device with Retrieval Hand-Crank on a DBI-SALA Tripod. The SRD-R is mounted on a leg of the Tripod and the Lifeline is routed through a Pulley System on the Head of the Tripod:
- 1. Secure the Quick Mount Bracket on the leg of the Tripod:** Assemble the Quick Mount Bracket around the Upper Tube of the Tripod Leg. Position the Quick Mount Bracket at least 12 in. (30 cm) above the Locking Pin on the Tripod Leg and then tighten the mounting bolts to 15 ft-lbs (20 Nm). Do not overtighten the bolts.

Never mount the Quick Mount Bracket on the Lower (Telescoping) Tube of the Tripod Leg.
 - 2. Secure the SRL Mounting Bracket on the Quick Mount Bracket:** Position the notches in the SRL Mounting Bracket over the Rod Ends protruding from the Quick Mount Bracket and then pivot the SRL toward the Tripod Leg until the holes in the SRL Mounting Bracket align with the holes in the Quick Mount Bracket. Insert the Mounting Pin through the holes in the SRL Mounting Bracket and Quick Mount Bracket.
 - 3. Route the SRL Lifeline over the Tripod Head Mount Pulleys:** Remove the two Retainer Pins from the Head Mount. Position the SRL Lifeline cable in the grooves in the two Head Mount Pulleys. Reinsert the Retainer Pins through the Head Mount.

4.0 OPERATION

First time or infrequent users of Sealed-Blok Self-Retracting Devices (SRDs) should review the "Safety Information" at the beginning of this manual prior to use of the SRD.

- 4.1 BEFORE EACH USE:** Before each use of this fall protection equipment carefully inspect it to assure it is in good working condition. Check for worn or damaged parts. Ensure all bolts are present and secure. Check that the lifeline is retracting properly by pulling out the line and allowing it to slowly retract. If there is any hesitation in retraction the unit should be marked as "UNUSABLE" and returned to an authorized service center for service. Inspect the lifeline for cuts, frays, burns, crushing and corrosion. Check locking action by pulling sharply on the line. See Section 5 for inspection details. Do not use if inspection reveals an unsafe condition.
- 4.2 AFTER A FALL:** Any equipment which has been subjected to the forces of arresting a fall or exhibits damage consistent with the effect of fall arrest forces as described in Section 5, must be removed from service immediately, marked as "UNUSABLE", and inspected and serviced as instructed in Sections 5 and 6.
- 4.3 BODY SUPPORT:** A full body harness must be worn when using DBI-SALA SRLs. For general fall protection use, connect to the back Dorsal D-Ring. For situations such as ladder climbing, it may be useful to connect to the front Sternal D-Ring. Consult the harness manufacturer's instructions for details regarding use of the harness connection points.
- 4.4 MAKING CONNECTIONS:** When using a hook to make a connection, ensure roll-out cannot occur (see Figure 5). Do not use hooks or connectors that will not completely close over the attachment object. Do not use non-locking snap hooks. The mounting surface should meet the anchorage strength requirements stated in section 2.2. Follow the manufacturer's instructions supplied with each system component.
- 4.5 OPERATION:** Inspect the SRL as described in section 5.0. Connect the SRL to a suitable anchorage or anchorage connector as previously described. Connect the Self-Locking Snap Hook on the end of the lifeline to the Dorsal D-Ring on the Full Body Harness (see Figure 8). Ensure connections are compatible in size, shape, and strength. Ensure hook is fully closed and locked. Once attached, the worker is free to move about within the recommended working area at normal speeds. If the RSQ Selection Knob is set to 'Fall Arrest', the SRL will arrest the fall. If the RSQ Selection Knob is set to 'Descent', the SRL will automatically descend the user to a lower level when a fall occurs. When working with an SRL, always allow the lifeline to recoil back into the device under control. A tag line may be required to extend or retract the lifeline during connection and disconnection operations. A tag line can be used to prevent uncontrolled retraction of the lifeline into the SRL. Depending on the work site environment and conditions, it may be necessary to restrain the free end of the tag line to prevent interference and entanglement with equipment or machinery.
- 4.6 RSQ™ FALL ARREST/DESCENT MODE SELECTION:** DBI-SALA RSQ™ Dual-Mode SRLs are equipped with an RSQ Knob to select between the Fall Arrest or Descent operating modes of the SRL (see Figure 10). To select Fall Arrest Mode or Descent Mode:
1. Pull the RSQ™ Engagement Knob outward.
 2. Turn the RSQ™ Engagement Knob until the arrow on the face of the knob points to Descent Mode (A) or Fall Arrest Mode (B) and the RSQ™ Engagement Knob clicks into place with the Selection Notch (as illustrated in Figure 10).

RSQ Descent Mode: In Descent Mode, the user automatically descends to a lower level when a fall occurs.

RSQ Fall Arrest Mode: In Fall Arrest Mode, the SRD arrests the fall and the user remains suspended. Descent is activated and controlled with the RSQ™ Engagement Knob Pull Ring or an optional Extension Pole Release Tool (see Figure 11):

- **Engagement Knob Pull Ring:** Figure 11 illustrates operation of the Engagement Knob Pull Ring. To disengage Fall Arrest Mode and initiate descent, grasp the Pull Ring and pull the Engagement Knob straight out (A). To stop descent; release the Pull Ring to re-engage Fall Arrest Mode (B). To fully engage Descent Mode so descent continues without pulling the Pull Ring, turn the Engagement Knob counter-clockwise (C) until the arrow on face of the knob points to the Descent Selection Notch (see Figure 10).

80 lbs - 100 lbs (0.36 kN - 0.45 kN) of pulling force is required to release the RSQ™ Engagement Knob from Fall Arrest Mode.

- **Extension Pole Release Tool:** Insert the Extension Pole Release Tool from any direction so the ends of the Release Forks surround the base of the RSQ™ Engagement Knob below the Knurled Ridge and Pull Ring (see Figure 11D). To disengage Fall Arrest Mode and initiate descent, push forward on the Extension Pole until the RSQ™ Engagement Knob is fully lodged in the Release Fork. Descent will continue as long as the Release Fork is fully lodged between the RSQ™ Engagement Knob and the Housing. Removal of Release Fork may cause unit to re-engage Fall Arrest Mode.

The Release Fork on the Extension Pole Release tool is tapered to push the RSQ™ Engagement Knob straight out as the fork is pushed forward on the knob. It is not necessary to pry the knob with the Extension Pole. Prying could break off the knob.

Sealed-Blok RSQ SRLs are designed for emergency fall arrest and descent and may only be used for a single, vertical descent. If the SRL is used to descend, remove it from service immediately and send it to an authorized service center for repair.

4.7 RETRIEVAL OPERATION: Figure 12 illustrates operation of the Integral Rescue Hand Crank on the Ultra-Lok Retrieval SRL-R. Do not attempt to operate Retrieval with the lifeline fully retracted. To activate Retrieval mode and use the Rescue Hand Crank:

1. Loosen the Locking Thumb Screw to release the Crank Arm.
2. Rotate the Retrieval Handle up from the SRL Body 90°.
3. Pull and hold the Shift Knob in the unlocked position.
4. Push the Crank Arm in and release the Shift Knob to engage. If needed, rotate the Crank Arm clockwise to help engage the gear.
5. Raise and lower the Lifeline as illustrated in Figure 12:
 - A. To Raise: Rotate the Crank Arm clockwise.
 - B. To Lower: Rotate the Crank Arm counterclockwise. After fall arrest; crank the Crank Arm clockwise slightly first to release the Fall Arrest Brake, then crank the Crank Arm counterclockwise.

The Integral Rescue Hand Crank on 3-Way Emergency Retrieval SRL-R models is for rescue purposes only and should not be used for work positioning or material lifting/lowering.

DBI-SALA SRL-Rs do not incorporate an Overload Clutch to limit the force exerted on the drive components and attached person. Avoid line slack while in Retrieval mode. Also, monitor the individual during retrieval to ensure they are not subjected to excessive force from continued lifting after entanglement on an obstruction.

A minimum load of 75 lbs (33.9 kg) is required to lower or pay out the Lifeline. A force of 30 lbs (0.13 kN) is required to operate the Retrieval system when loaded to capacity.

Stop cranking when the Lifeline is fully extended or retracted. Continued cranking can damage components.

4.8 RETRIEVAL DISENGAGEMENT: To disengage Retrieval mode:

When Retrieval mode is disengaged, any extended Lifeline will retract into the SRL. To avoid possible injury, retract the Lifeline prior to disengagement or hold onto the Lifeline.

1. Remove any load from the Lifeline.
2. Pull and hold the Shift Knob in the unlocked position.
3. Pull the Crank Arm out to disengage and then release the Shift Knob.
4. Pull out and rotate the Retrieval Handle down toward the SRL Body to stowed position.

5.0 Inspection

- 5.1 RFID TAG:** The Self-Retracting Device includes a Radio Frequency Identification (RFID) tag (see Figure 13). The RFID tag can be used in conjunction with the handheld reading device and web based portal to simplify inspection and inventory control and provide records for your fall protection equipment. For details, contact a 3M Customer Service representative (see back cover). Follow the instructions provided with your handheld reader, or on the web portal, to transfer your data to your web log.
- 5.2 INSPECTION FREQUENCY:** The Sealed-Blok Self-Retracting Device must be inspected at the intervals defined in *Section 2.2 - Inspection Frequency*. Inspection procedures are described in the "Inspection & Maintenance Log" (Table 3).

Extreme working conditions (harsh environments, prolonged use, etc.) may require increasing the frequency of inspections.

- 5.3 UNSAFE OR DEFECTIVE CONDITIONS:** If inspection reveals an unsafe defective condition, remove the Self-Retracting Device from service immediately, mark as "UNUSABLE", and perform a Competent Person inspection to determine service options.

Only 3M or parties authorized in writing may make repairs other than FAST-Line Lifeline replacement to this equipment.

- 5.4 PRODUCT LIFE:** The functional life of DBI-SALA Self-Retracting Devices is determined by work conditions and maintenance. As long as the product passes inspection criteria, it may remain in service.

6.0 MAINTENANCE, SERVICE, and STORAGE

- 6.1 CLEANING:** Cleaning procedures for the Self-Retracting Device are as follows:

- Periodically clean the exterior of the SRL using water and a mild soap solution. Position the SRD so excess water can drain out. Clean labels as required.
- Clean lifeline with water and mild soap solution. Rinse and thoroughly air dry. Do not force dry with heat. An excessive buildup of dirt, paint, etc. may prevent the lifeline from fully retracting back into the housing causing a potential free fall hazard. Replace lifeline if excessive buildup is present.

- 6.2 SERVICE:** FAST-Line Lifelines can be replaced in the field by a Competent Person¹. See Figure 1 for the required FAST-Line Lifeline Replacement Kit. Install the lifeline per the instructions in the Service Manual (5903076) include with the FAST-Line kit. Always perform a complete Competent Person inspection after replacing the FAST-Line Lifeline. Additional service, determined from the Competent Person inspection, must be completed by an authorized service center. Do not attempt to disassemble the SRL or lubricate any parts.

- 6.3 STORAGE AND TRANSPORT:** Store and transport Self-Retracting Device in a cool, dry, clean environment out of direct sunlight. Avoid areas where chemical vapors may exist. Thoroughly inspect the SRL after any period of extended storage.

7.0 Labels

Figure 20 illustrates labels on the the Sealed-Blok SRDs and their locations. All label must be present on the SRL. Labels must be replaced if they are not fully legible.

¹ **Competent Person:** An individual designated by the employer to be responsible for the immediate supervision, implementation, and monitoring of the employer's managed fall protection program who, through training and knowledge, is capable of identifying, evaluating, and addressing existing and potential fall hazards, and who has the employer's authority to take prompt corrective action with regard to such hazards.

Table 3 – Inspection & Maintenance Log

Serial Number(s):		Date Purchased:	
Model Number:		Date of First Use:	
Inspected By:		Inspection Date:	
Component:	Inspection:	Before Each Use	Competent Person
SRL (Figure 14)	Inspect for loose bolts and bent or damaged parts.	<input type="checkbox"/>	<input type="checkbox"/>
	Inspect Housing (A) for distortion, cracks, or other damage.	<input type="checkbox"/>	<input type="checkbox"/>
	Inspect the Swivel Eye (B) for distortion, cracks, or other damage. The Swivel Eye should be attached securely to the SRL, but should pivot freely.	<input type="checkbox"/>	<input type="checkbox"/>
	The Lifeline (C) should pull out and retract fully without hesitation or creating a slack line condition.	<input type="checkbox"/>	<input type="checkbox"/>
	Ensure device locks up when lifeline is jerked sharply. Lockup should be positive with no slipping. NOTE: SRLs with RSQ should be in Fall Arrest Mode for this test (see Figure 8)	<input type="checkbox"/>	<input type="checkbox"/>
	The labels must be present and fully legible (see "Labels").	<input type="checkbox"/>	<input type="checkbox"/>
	Look for signs of corrosion on the entire unit.	<input type="checkbox"/>	<input type="checkbox"/>
Swivel Snap Hook & Impact Indicator (Figure 15)	Inspect the Swivel Snap Hook for signs of damage, corrosion, and working condition. Swivel should rotate freely. Inspect the Impact Indicator. If the Red Band is displayed (Indicated Mode), impact loading has occurred and the SRL must be removed from service and inspected. Do not attempt to reset the Impact Indicator. Return the SRL to an authorized service center for resetting. NOTE: The Swivel will not turn freely when the Impact Indicator is in Indicated Mode.	<input type="checkbox"/>	<input type="checkbox"/>
	<input checked="" type="checkbox"/> FAST-Line Means LIFETIME: If the Red Band on the Swivel Snap Hook Impact Indicator is displaying (Indicated Mode); contact 3M regarding service by an Authorized Service Center, or replace the FAST-Line Lifeline per the instructions in the "FAST-Line Lifeline Replacement Kit Service Manual (5903076)" and complete the Competent Person inspection.		<input type="checkbox"/>
FAST-Line Wire Rope Lifeline (Figure 16)	Inspect wire rope for cuts, kinks, broken wires, bird-caging, welding splatter, corrosion, chemical contact areas, or severely abraded areas. Slide the cable bumper up and inspect ferrules for cracks or damage and inspect the wire rope for corrosion and broken wires. Replace the wire rope assembly if there are six or more randomly distributed broken wires in one lay, or three or more broken wires in one strand in one lay. A "lay" of wire rope is the length of wire rope it takes for a strand (the larger groups of wires) to complete one revolution or twist along the rope. Replace the wire rope assembly if there are any broken wires within 1 inch (25 mm) of the ferrules.	<input type="checkbox"/>	<input type="checkbox"/>
	<input checked="" type="checkbox"/> FAST-Line Means LIFETIME: If inspection in the previous step indicates lifeline replacement; contact 3M regarding service by an Authorized Service Center, or replace the FAST-Line Lifeline per the instructions in the "FAST-Line Lifeline Replacement Kit Service Manual (5903076)" and complete the Competent Person inspection.		<input type="checkbox"/>
Reserve Lifeline (Figure 17)	Inspect the Reserve Lifeline payout. If a fall has been arrested with most of the lifeline out, the Reserve Lifeline may have been deployed. Pull the lifeline out of the SRL until it stops. If the Button Stop (A) pulls out and is visible, the Reserve Lifeline is spent and the lifeline should be replaced.	<input type="checkbox"/>	<input type="checkbox"/>
	<input checked="" type="checkbox"/> FAST-Line Means LIFETIME: If inspection in the previous step indicates lifeline replacement; contact 3M regarding service by an Authorized Service Center, or replace the FAST-Line Lifeline per the instructions in the "FAST-Line Lifeline Replacement Kit Service Manual (5903076)" and complete the Competent Person inspection.		<input type="checkbox"/>
RSQ Components (Figure 18)	A hand pull test should be performed on RSQ™ Components prior to each use: <ol style="list-style-type: none"> 1. Set RSQ Engagement Knob to Descent position (Diagram 4). 2. Grasp the lifeline and pull firmly to engage descent mechanism. 3. Continue to smoothly pull out approximately 3 feet (1 m) of cable. Steady resistance should be felt when pulling out cable. 	<input type="checkbox"/>	<input type="checkbox"/>
Retrieval Integral Rescue Hand Crank (Figure 19)	Inspect the Crank Arm (A) for distortion or other damage. Ensure that the Retrieval Handle (B) can be folded out and secured in the cranking position.	<input type="checkbox"/>	<input type="checkbox"/>
	Ensure the Retrieval Shift Knob (C) can be pulled out to the unlocked position and then released, locking the Crank Arm in both the engaged and disengaged positions.	<input type="checkbox"/>	<input type="checkbox"/>
	Test the retrieval feature for proper operation by raising and lowering a test weight of at least 75 lbs (34 kg). When the Retrieval Handle is released, the weight should not move and the Retrieval Handle should remain in position (no movement). A 'clicking' sound should be audible when raising the load.	<input type="checkbox"/>	<input type="checkbox"/>
Corrective Action/Maintenance:		Approved By:	
		Date:	
Corrective Action/Maintenance:		Approved By:	
		Date:	
Corrective Action/Maintenance:		Approved By:	
		Date:	
Corrective Action/Maintenance:		Approved By:	
		Date:	
Corrective Action/Maintenance:		Approved By:	
		Date:	

GLOBAL PRODUCT WARRANTY, LIMITED REMEDY AND LIMITATION OF LIABILITY

WARRANTY: THE FOLLOWING IS MADE IN LIEU OF ALL WARRANTIES OR CONDITIONS, EXPRESS OR IMPLIED, INCLUDING THE IMPLIED WARRANTIES OR CONDITIONS OF MERCHANTABILITY OR FITNESS FOR A PARTICULAR PURPOSE.

Unless otherwise provided by local laws, 3M fall protection products are warranted against factory defects in workmanship and materials for a period of one year from the date of installation or first use by the original owner.

LIMITED REMEDY: Upon written notice to 3M, 3M will repair or replace any product determined by 3M to have a factory defect in workmanship or materials. 3M reserves the right to require product be returned to its facility for evaluation of warranty claims. This warranty does not cover product damage due to wear, abuse, misuse, damage in transit, failure to maintain the product or other damage beyond 3M's control. 3M will be the sole judge of product condition and warranty options.

This warranty applies only to the original purchaser and is the only warranty applicable to 3M's fall protection products. Please contact 3M's customer service department in your region for assistance.

LIMITATION OF LIABILITY: TO THE EXTENT PERMITTED BY LOCAL LAWS, 3M IS NOT LIABLE FOR ANY INDIRECT, INCIDENTAL, SPECIAL OR CONSEQUENTIAL DAMAGES INCLUDING, BUT NOT LIMITED TO LOSS OF PROFITS, IN ANY WAY RELATED TO THE PRODUCTS REGARDLESS OF THE LEGAL THEORY ASSERTED.



Fall Protection

Distributed by Engineered Fall Protection

Sales@EngineeredFallProtection.com

www.EngineeredFallProtection.com

Tel: (314) 492-4422



EU DECLARATION OF CONFORMITY:
3M.com/FallProtection/DOC